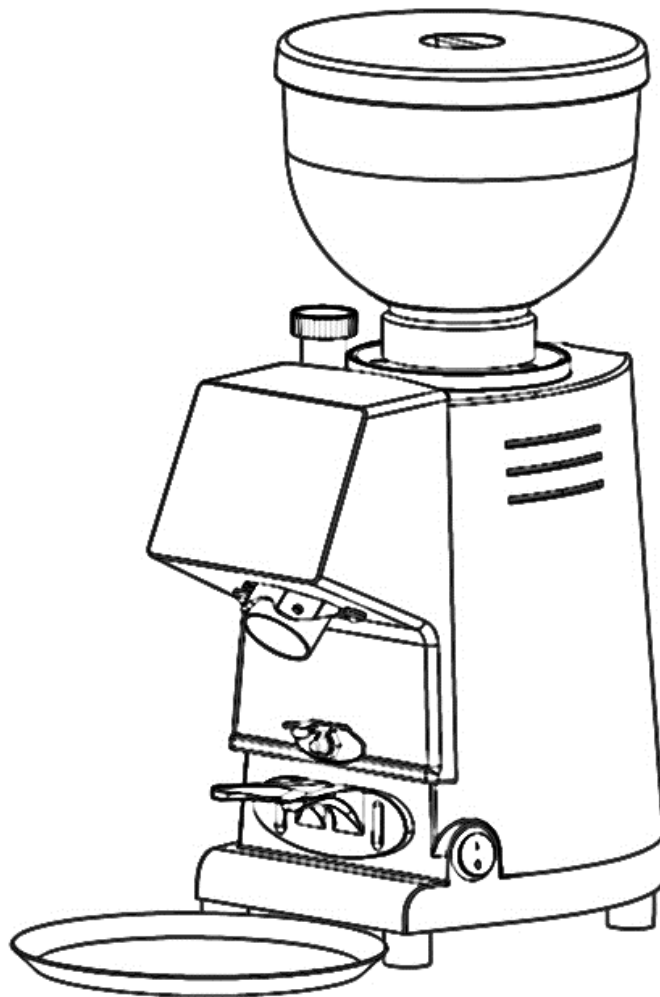

USE AND MAINTENANCE MANUAL

ELECTRONIC COFFEE GRINDER MST-58P E



MST-58P E

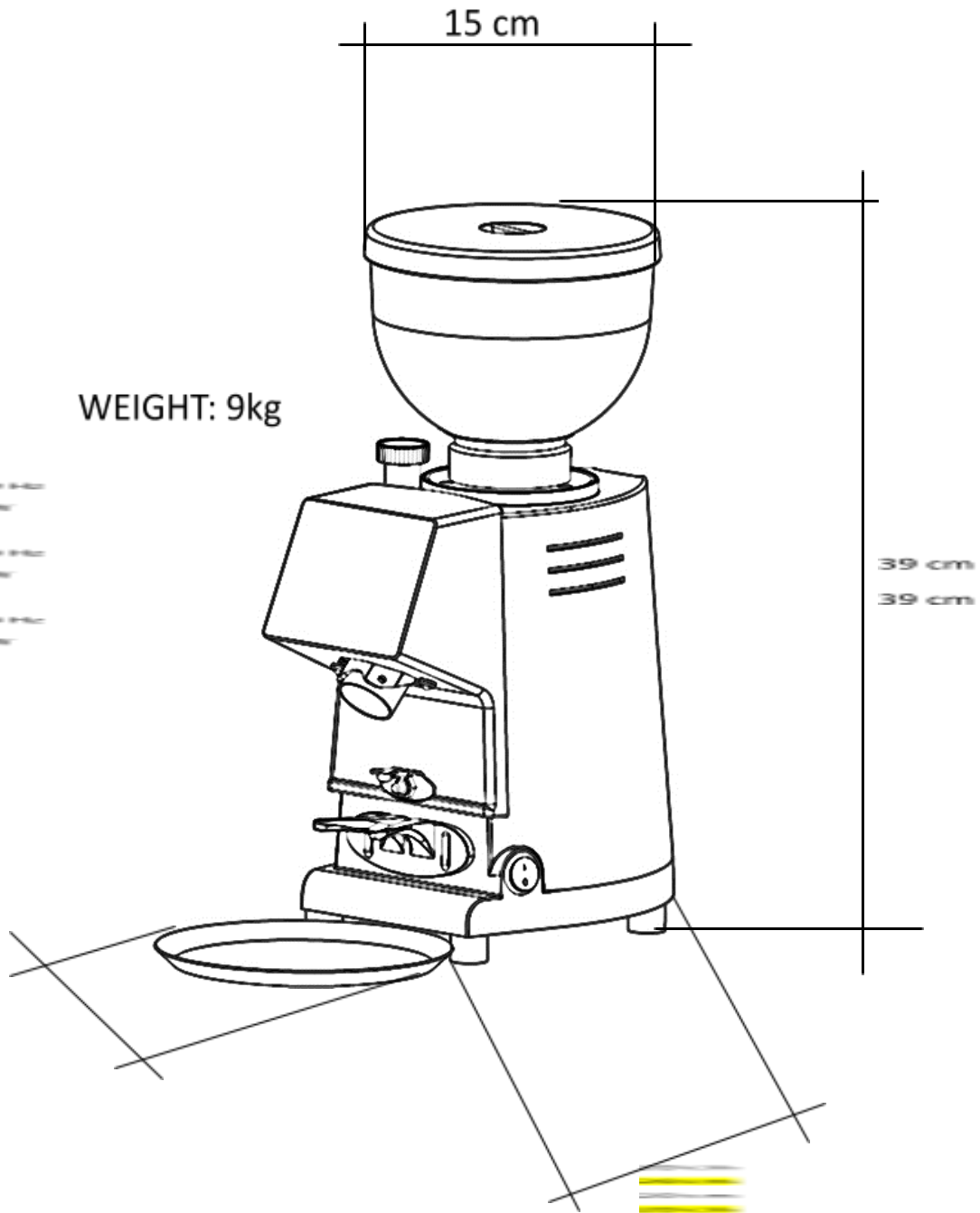
WEIGHT: 9kg

Power supply:
230-240 V A.C.
Frequency: 50-60 Hz
Power:
MST-58P E: 380 W

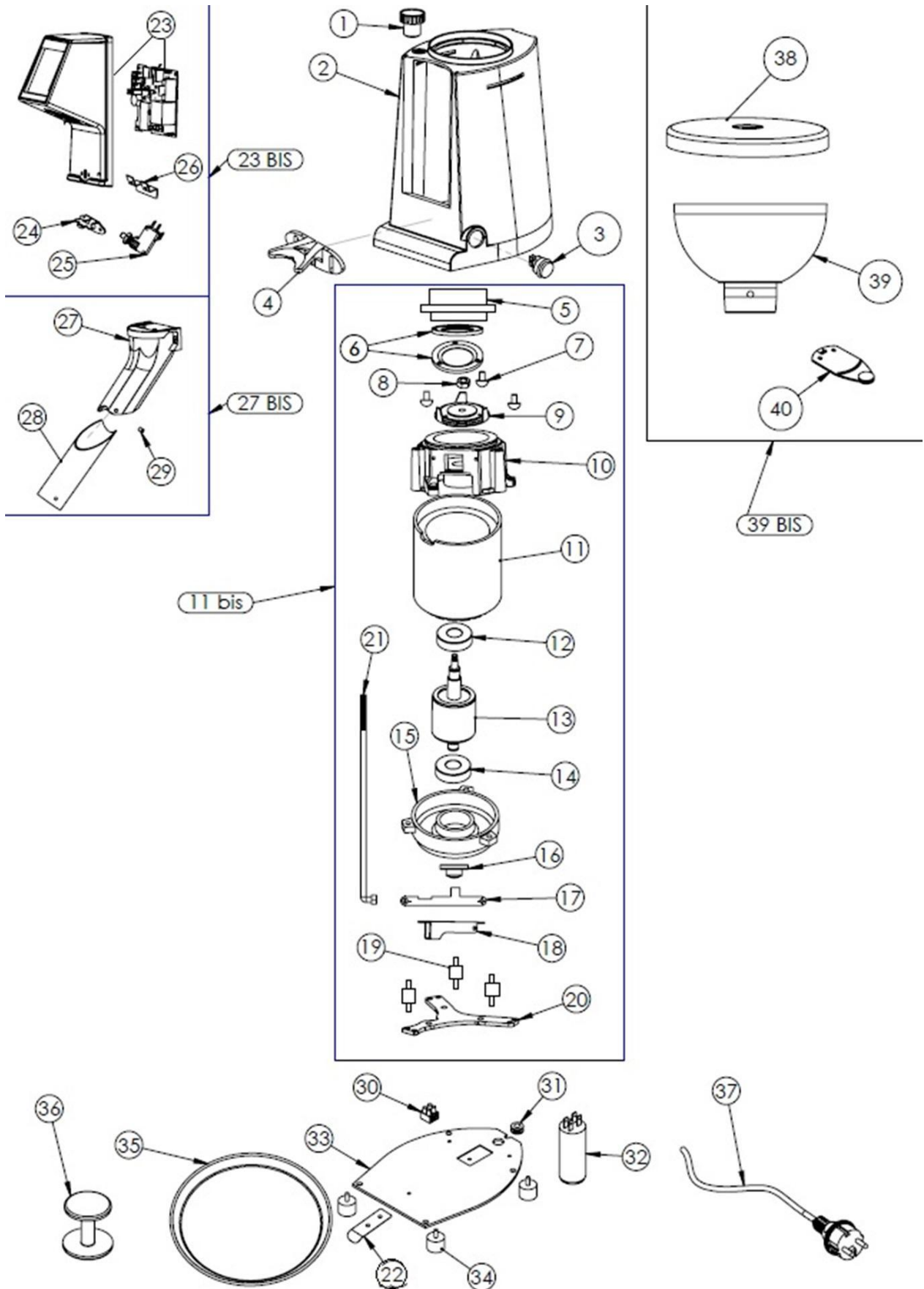
Power supply:
230-240 V A.C.
Frequency: 50-60 Hz
Power:
MST-58P E: 380 W

Power supply:
230-240 V A.C.
Frequency: 50-60 Hz
Power:
MST-58P E: 380 W

Power supply:
230-240 V A.C.



MST-58P E



INDEX

English.....
.....11

Italiano.....
.....35

ENGLISH

Summary

Section 1	11
DEFINITIONS	11
MANUFACTURER'S DATA	12
AUTHORISED SUPPORT	12
PRESENTATION OF THE MANUAL	12
Pictograms	13
Obligations and Danger	13
SAFETY	14
IMPORTANT WARNINGS	14
Section 2	15
WARRANTY	15
WARNINGS	16
GENERAL DESCRIPTION AND TECHNICAL DATA	18
Noise	18
Identification plates	18
Fixed guards	19
SAFETY DEVICES	19
BEAN HOPPER SAFETY	19
FEASIBLE OPERATIONS	19
PLANNED AND IMPROPER USE OF THE MACHINE	20
Planned Use	20
Improper Use	20
RESIDUAL RISKS	20
Operations involving risks for the operator.	21
Residual Risk of Crushing	21
Section 3	21
MOVEMENT	21
Weight of the machine	21
Characteristics of the support on which it can be positioned and used	21
Movement of the machine	21
Manual movement	22
CONNECTION	22
Warning	22
Positions	22
Temperature	22
Relative humidity (no condensation)	22
Configuration and connection procedures	23

Section 4	23
USE OF THE MACHINE	23
SWITCH ON AND SWITCH OFF	23
START PROCESSING	23
ADJUSTMENT OF GRINDING	25
ADJUSTMENT OF THE DOSE IN ELECTRONIC COFFEE GRINDERS	26
WARNINGS FOR USE	27
Section 5	27
PERIODIC MAINTENANCE	27
CLEANING THE APPLIANCE	28
EXTRAORDINARY MAINTENANCE	28
DECOMMISSIONING	29
Decommissioning procedure	29
Dismantling	29

Section 1

Definitions - Manufacturer's data – Authorised Support – Presentation of the Manual

DEFINITIONS

CE Marking: preparation process of the technical file, containing all the documentation the producer/manufacturer/importer/agent has executed or verified execution, to create a safe product compliant with European directives and standards. Throughout this document, the coffee grinder will often be associated with the term “machine”

CE marking: affixing with various methodologies and supports, of the CE mark on products released for free circulation.

Release for free circulation: making a product available in any form to third parties (sale, hire, loan, gift, transfer, etc.)

Modification/adaptation: activity that changes the product circumstances compared to the original, defined by the manufacturer. This activity causes the need to mark the product again, in compliance with current legislation.

Manufacturer: anyone issuing a product for free circulation exclusively indicating their name on the documents accompanying it.

Directive: document issued by the central European Commission and which governs safety of a category of products. It must be implemented by each EU state to be legally valid in that state.

Regulation: document issued by the central European Commission which is legally valid over the entire territory of the European Union, without the need for implementation by individual states.

Standard: document issued by a private institute and which has an indicative value on good practice. It is legally valid only if supported by a specific governmental decree.

Harmonised standard: document issued by a private body, which applies to the entire European territory and is legally valid if subordinate to a Regulation. Compliance with a standard is always and only “assumed” of compliance of the directive or regulation to which it is harmonised.

Declaration of conformity: document which the manufacturer is obliged to issue and sign and which must accompany each product or batch of products.

CE label: instructions which must be present on the product or on the packaging, which briefly indicates the manufacturer has complied with the safety obligations outlined by law.

CE Certificate: document issued by a private body, certified that a single sample has passed certain tests. The certificate can be set by the law or voluntary, but never replaces the CE marking since it does not refer in any way to production in series, it can therefore be integrative, but never replace the CE marking.

Machine: set of mechanical or other elements of with at least one mobile thanks to non-human or animal force, even if without an applied energy source, but intended for coupling to an energy source. The set of multiple machines, which then become “partly completed machines” and in turn become a machine. Lifting systems are also covered in the machinery directive, even if manual.

MANUFACTURER'S DATA

Company name	Remidag S.r.l.
Headquarters	Via Padova, 4/A – 35010 – Trebaseleghe (PD)
VAT no.	04804510289
Product name	MST
Office Tel.	+39 049 9387766
E_mail	info@remidag.it
Website	www.remidag.it

AUTHORISED SUPPORT

Maintenance and technical support can only be carried out by the manufacturer or the technician appointed to do so.

PRESENTATION OF THE MANUAL

NOTE



ON RECEIVING THE COFFEE GRINDER, BEFORE USE, READ ALL THE DOCUMENTATION CAREFULLY INDICATED IN THE PREVIOUS PARAGRAPH.

This manual contains the instructions for connection, use and maintenance of the coffee grinder **MST-58P E** intended for professional use.

The manual is composed of various sections, each of which covers a series of topics, sub-divided into chapters and paragraphs. The general index lists all the topics covered in the entire manual.

Page numbering is progressive and each page is numbered. This manual is intended for staff proposed for connection, use and maintenance of the coffee grinder and relates to its technical life after production, use and possible sale.

If it is subsequently granted to third parties for whatever reason (sale, loan, or any other reason), the coffee grinder must be delivered with all its documentation.

The information contained in this manual is not intended and does not replace know-how and experience gained by the user, who is exclusively responsible for using the machine for its intended use.

Before starting any operation on any unit, you need to have at least read the entire manual and then analysed the topic relating to the operations you want to carry out.

This manual contains confidential information and cannot be provided, even partially, to third parties for any use and in any form, without the prior, written consent of the company REMIDAG. SRL

REMIDAG. SRL declares the information contained in this manual are consistent with the technical and safety specifications of the machine to which the manual refers.

A true copy of this manual is placed in the technical file of the coffee grinder, kept in the headquarters of the company REMIDAG. SRL

REMIDAG. SRL does not acknowledge any documentation not produced, issued or distributed by it or by its authorised agent.

Conventions

For the purpose of obtaining more immediate understanding of the topics, the manual contains graphic and typographic symbols and conventions which are described below.



NOTE

THE NOTES CONTAIN IMPORTANT INFORMATION, HIGHLIGHTED OUTSIDE THE TEXT TO WHICH IT REFERS



ATTENTION

THE ATTENTION INSTRUCTIONS INDICATE THOSE PROCEDURES WHOSE NON-COMPLIANCE OR PARTIAL COMPLIANCE CAN CAUSE DAMAGE TO THE MACHINE, ITS PARTS AND CAN EXPOSE AN OPERATOR TO DANGER.



DANGER

THE DANGER INSTRUCTIONS INDICATE THOSE PROCEDURES WHOSE NON-COMPLIANCE OR PARTIAL COMPLIANCE CAN CAUSE HARM OR SERIOUS INJURY TO THE OPERATOR'S HEALTH OR THAT OF PEOPLE NEARBY. SERIOUS DAMAGE TO THE MACHINE.

Pictograms

The machine has the following pictograms:

Obligations and Danger



Obligation to read the use and maintenance manual



Danger of electrocution
Electrically live zone



Equipotential



ATTENTION!

The warning plates and pictograms performing a safety function must not be removed, covered or damaged.

SAFETY

The maintenance operations must be carried out by qualified and authorised staff. Comply with the specific safety instructions to apply to use and maintenance of the machine contained in the chapter

GENERAL SAFETY STANDARDS.

This type of intervention, even if maintenance, must always be carried out with the machine off. When carrying out this intervention, strictly comply with the instructions in the instruction's manual.

DANGER



DISCONNECT THE MACHINE FROM THE ELECTRICAL SYSTEM, POSITIONING THE MAIN SWITCH ON "0" AND DISCONNECTING THE PLUG FROM THE CURRENT SOCKET, BEFORE CARRYING OUT ANY CLEANING OR MAINTENANCE OPERATION ON THE PARTS INSIDE.

For any maintenance, tuning, dismantling and re-assembly operations, etc., other than the instructions contained in this manual, the general occupational safety standards must be complied with in force in the location in which these operations are performed.

On completion, check you have restored all the connections, re-assembled the shell and guards and tightened the screws properly.

Check you have not left any object or tool inside the machine.

Having finished maintenance, before powering and switching on the coffee grinder, ensure you have reset all the safety devices which for intervention requirements were removed.

IMPORTANT WARNINGS

The operator using the grinder must be a responsible adult, and not a minor or a person incapable of safely operating the appliance.

This equipment can be used by children over 8 years of age and people with limited physical, sensory or mental capacity or who do not have the necessary experience and/or know-how, provided use takes place under the supervision of a responsible person or they receive instructions on how to use the appliance and provided they understand the deriving risks. Children must not play with the appliance. Cleaning and maintenance of the appliance cannot be carried out by children without the supervision of an adult.

When using the grinder, you need to implement the following precautions:

Do not immerse in water.

Do not use with wet hands or feet.

Do not use in bare feet.

Do not expose the grinder to sun or other atmospheric conditions.

Do not position any type of object at the entrance or exit of the coffee while the coffee grinder is working. (Note that burrs continue to rotate for a few rotations after the coffee grinder has been switched off).

To disconnect the grinder, use the main power supply switch and never the power supply cable, to avoid possible short circuit

Section 2

Warranty – Warnings - General description and technical data - Safety devices – Feasible operations - Planned and unplanned use of the machine – Residual risks

WARRANTY

The warranty standards, fully listed in the purchase contract, only apply if the machine is used in the planned use conditions.

With the exception of routine and extraordinary maintenance intervention described in the **MANUTENZIONE sect.** and carried out with the procedures indicated, any repairs or modifications made to the coffee grinder by the user or unauthorised companies causes the warranty to expire.

The warranty does not cover damage caused by lack of expertise or negligence in coffee grinder use, or poor or no maintenance.

The products sold by us are covered by warranty regarding the following conditions:	
1	<i>The warranty is valid for a period of twelve (12) months.</i>
2	<i>The manufacturing company is committed to replacing malfunctioning or factory defective parts at its discretion, only following an accurate control and poor manufacturing has been found.</i>
3	<i>The purchaser must always cover transport and/or delivery expenses in the event of wrong use of the warranty conditions.</i>
4	<i>During the warranty period, replaced parts become the property of the manufacturer.</i>
5	<i>Only the original purchaser can benefit from this warranty who has complied with the instructions for normal maintenance contained in the manual. Our liability towards the warranty expires the moment in which: the original owner grants property of the machine to another person or changes were made to it</i>
6	<i>The warranty does not include damages deriving from excessive stress for example use of the machine after an anomaly occurs, use of inadequate operating methods as well as non-compliance with the use and maintenance instructions.</i>
7	<i>The manufacturer cannot be held in any way liable for possible difficulties that arise in re-sale or use abroad due to provisions in force in the country in which the machine is sold.</i>
8	<i>The machine or faulty parts of it must be delivered to the manufacturer for replacement; on the contrary, the replacement part will be charged to the purchaser.</i>

Warning: if the warranty must be availed of, please indicate the following data:

1	Type
2	Purchase date (presentation of the purchase document)
3	Detailed description of the problem

NOTE



NON-COMPLIANCE WITH THE INTERVENTION METHODS AND USE OF THE MACHINE DESCRIBED IN THIS DOCUMENTATION (USE AND MAINTENANCE MANUAL AND ATTACHED DOCUMENTATION) WILL CAUSE THE WARRANTY CONDITIONS TO EXPIRE.

The warranty does not cover downtime, production loss, etc.

WARNINGS

If part of the documentation is even partially missing or illegible, consult the manager of the technical file before carrying out any further operations on the machine.

The staff intending to use and carry out maintenance on the coffee grinder must read the use and maintenance manual, paying particular attention to the general safety standards and the execution methods contained in the sections relating to operations within their competence.

In this chapter, the general safety standards to comply with are described during any operation carried out with the coffee grinder. The intervention procedures, described in the following chapters, must be carried out in compliance both with the execution methods indicated and the general safety standards of this chapter.

The safety standards and the use and maintenance procedures of these manuals are complementary to the general occupational safety standards which must however be complied with.

Different industrial sectors and countries can have different standards relating to safety. Please therefore note that in all cases in which the standards of the manual are in disagreement or reductive compared to the standard of the industrial sector or country in which the coffee grinder is used, the standards of the industrial sector or country will however take priority over those in the manual.

NOTE



THE MANUFACTURING COMPANY CANNOT BE HELD IN ANY WAY LIABLE FOR ACCIDENTS OR DAMAGE RESULTING FROM USE OF THE COFFEE GRINDER BY STAFF INADEQUATELY TRAINED AND APPOINTED OR WHO HAVE NOT USED IT APPROPRIATELY, AS WELL AS NON-COMPLIANCE, EVEN PARTIAL, WITH THE SAFETY STANDARDS AND INTERVENTION PROCEDURES DESCRIBED IN THE DOCUMENTATION.

Non-compliance with the use standards and intervention methods contained in the manual also cause the warranty conditions to expire.

General information

The main scope of this manual is to provide a simple and gradual approach for the operator to safety and behavioural standards which are the basis of correct and safe use of the machine, preventing, as much as possible, accidents occurring.

The legal provisions are listed in brief to avoid weighing the structure of the booklet, but however provide a valid reference for anyone wishing to further analyse the topic. With entrance in force of Legislative Decree no. 626 on 19/09/1994 and subsequent modifications (81/08 and following), the legislator introduced the principle that all particular equipment should be used by the operator only following adequate and specific training. This training must guarantee use of the machine takes place correctly, in relation to the risks which can be caused to oneself or other people. Therefore, use of this machine must only be permitted to appointed staff.

General safety standards

During use of the coffee grinder, improper operating functions may occur which are not planned in the manual. These situations, which are completely anomalous, can at times be caused by environmental factors or faults unforeseeable by the manufacturer.

If any anomaly occurs which was not planned after powering the coffee grinder:

Disconnect it by removing the plug from the current socket.

Immediately contact technical support.

If an unplanned blockage occurs of the coffee grinder:

Switch it off, positioning the main switch in position "0".

Disconnect it by removing the plug from the current socket.

Check if this manual contains sufficient and necessary instructions to unblock it in total safety (see **Residual Risks**). Alternatively, immediately contact technical support to receive precise instructions.

If problems occur of an electromagnetic nature following switch on and use of the coffee grinder:

Switch it off, positioning the main switch in position "0".

Disconnect it by removing the plug from the current socket.

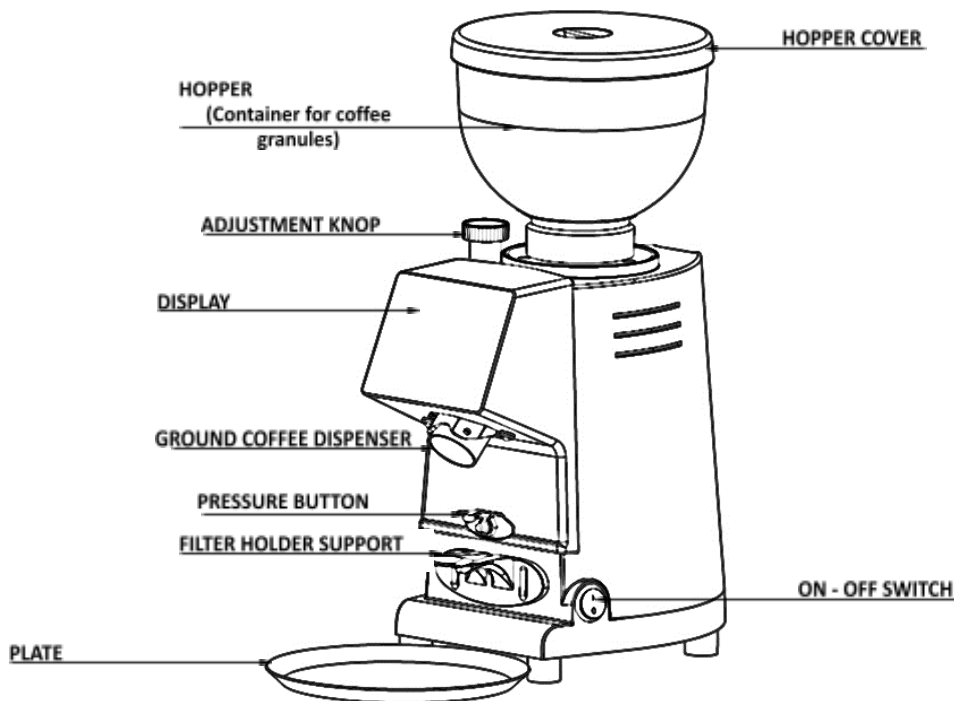
Immediately contact technical support.

If an operation or intervention must be carried out which is not planned or following a procedure different from those indicated in this manual, before proceeding, consult the manufacturing company REMIDAG. SRL The manual must be kept by staff who were assigned the task of managing, using and conducting maintenance on the coffee grinder. In the event of wear or loss, the client can ask for a true copy to the internal safety service of REMIDAG. SRL We suggest you keep a safe copy in a place where it cannot be damaged or lost.

To prevent dangerous situations, all operators must read the use and maintenance manual carefully, ensuring they have understood the use and intervention manual before starting to use the coffee grinder in any form.

GENERAL DESCRIPTION AND TECHNICAL DATA

The product described in this document is a professional coffee grinder with 64mm flat burrs created using material suitable for contact with the foodstuff products in compliance with Regulation 1935/2004/EC. The coffee grinder in question grinds doses of coffee instantly and allows you to always work with fresh coffee. Professional product suitable for activities that consume up to 3Kg of coffee per day.



Noise

The noise produced by the coffee grinder does not exceed the value of 70dB, therefore the user does not have to wear protective earmuffs during the work phases.

Identification plates

The coffee grinder is equipped with an identification plate outlining the identification details and main technical data relating to the weights and power supply.



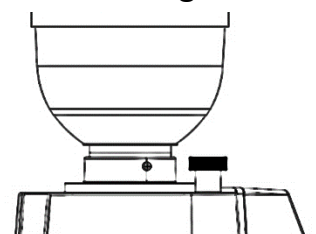
ATTENTION

TO SAFEGUARD THE INTEGRITY OF ALL THE PARTS OF THE COFFEE GRINDER, IT IS INDISPENSABLE TO COMPLY WITH THE TECHNICAL DATA OUTLINED ON THE PLATE.

The identification plate also contains the CE marking.

Fixed guards

The powered parts, the mobile parts of the machine and the parts that reach dangerous temperatures are blocked from contact and isolated using fixed guards, i.e., guards which cannot be removed without using particular



equipment. It is forbidden to operate the machine with fixed guard removed from their compartment.

SAFETY SCREW HOLDING THE HOPPER ATTACHED TO THE GRINDER TO PREVENT AN OPERATOR REACHING THE ROTATING BURRS.

SCREW WHICH AT THE MOVEMENT OF INSTALLATION OF THE COFFEE GRINDER MUST ABSOLUTELY BE SCREWED INTO THE HOLE SPECIFICALLY FOR THE HOPPER.

SAFETY DEVICES

BEAN HOPPER SAFETY

The bean hopper must always be fastened to the bean hopper support using the specific screw which must never be removed by the user. To the removal of the upper burrs holder there are 3 screws that must never be removed by the user.

FEASIBLE OPERATIONS

ATTENTION



SINCE IT IS IMPOSSIBLE TO DESCRIBE ALL THE OPERATIONS WHICH MUST NOT OR CANNOT BE CARRIED OUT, ALL OPERATIONS (OTHER THAN NORMAL ONES) NOT EXPLICITLY DESCRIBED IN THE MANUALS OF THE COFFEE GRINDER, SHOULD BE CONSIDERED UNFEASIBLE.

Feasible operations are those indicated in this manual in the section **PLANNED USE**.

Everything that is not feasible, as well as partial or total non-compliance with the procedures described in this manual can only be a source of errors during the work phase, but also accidents that could cause serious damage to the machine and its operators.

NOTE



THE MANUFACTURING COMPANY CANNOT BE CONSIDERED IN ANY WAY LIABLE FOR ACCIDENTS OR DAMAGE RESULTING FROM IMPROPER OR UNAUTHORISED USE OF THE COFFEE GRINDER.

PLANNED AND IMPROPER USE OF THE MACHINE

These appliances are intended to be used for commercial applications, for example in kitchens of restaurants, canteens, hospitals and in commercial enterprises such as bakeries, butcheries, etc., but not for continuous mass production of food.

Planned Use

The **MST-58P E** coffee grinder was designed and manufactured exclusively as a machine to grind coffee beans into coffee powder ready for use.

All work operations include a single operator who must **ALWAYS** remain at the front of the machine.

Improper Use

No use is planned other than that described in the paragraph **PLANNED USE**. It is also strictly forbidden:

- To use the coffee grinder or parts of it for uses other than those planned.
- Replacement of parts and components of the machine with others unauthorised by **REMIDAG. SRL** Tampering/modifying the machine.
- Re-use of any part of the machine after placing out of service relieves the manufacturing company of any liability deriving from its use.

NOTE



THE MANUFACTURING COMPANY CANNOT BE CONSIDERED IN ANY WAY LIABLE FOR ACCIDENTS OR DAMAGE RESULTING FROM IMPROPER OR UNAUTHORISED USE OF THE COFFEE GRINDER.

RESIDUAL RISKS



ATTENTION

IF PROBLEMS ARE FOUND DUE TO A POSSIBLE ELECTRIC FAULT, SWITCH OFF THE MACHINE. THEN, DISCONNECT THE PLUG FROM THE ELECTRICITY SOCKET.

The coffee grinder has pictograms on it (see **PICTOGRAMS**). They must be kept clean and restored every time they are removed or damaged.



DANGER

ACCESS TO INTERNAL PARTS OF THE MACHINE MUST ONLY BE CARRIED OUT FOR MAINTENANCE OPERATIONS, ONLY BY AUTHORISED STAFF AND WHO HAVE READ THE MANUAL IN ADVANCE.

Before intervening on the coffee grinder for maintenance, you need to disconnect it from the electrical mains.

If the machine blocks during use, you need to:

- Position the on command in position "0".
- Leave the machine to cool for at least 10 minutes.
- Position the on command in position "1".

- If the machine does not re-start, contact the technical support service (***See authorised support***).

Important:

- Never insert hands, or objects held by hand where parts are in motion (impeded by fixed guards).
- Ensure there are no cables resting on the floor.
- Do not wet the electrical connections and internal parts with water or other liquids.
- Ensure the connection zone, work and maintenance on the machine have lighting of at least 200 lux.
- Maintenance must only and exclusively be carried out following the instructions in the manual.

Operations involving risks for the operator.

For start-up operations, comply with the general safety standards.

In particular:

- if intervening on electrical parts, ensure they are not powered;

As early as the design phase, solutions were implemented to ensure safe use of the machine in all use phases: transport, adjustment, activity and maintenance. Despite this, not all possible risks for operators or for the environment have been eliminated, both for technical (reliability of the devices) and management (excessive difficulty in elimination) reasons, as a result the residual risks present are signalled, e.g., electrocution, shearing, etc.

Residual Risk of Crushing

- Do not insert hands, feet or other body parts inside a part in motion of the machine when it is in use. There is a high danger of crushing a limb or however hurting yourself.

Section 3

Movement - Connection - Important Warnings

MOVEMENT

On receipt, check the coffee machine and its parts are intact. If any damage is found, missing or deformed parts or signs of impact due to transport, inform the manufacturer before proceeding with subsequent operations.

In particular, check the following is intact:

- Power supply electricity cables.
- Command devices.
- Hopper.

Weight of the machine

The weight of the coffee grinder is outlined in the **TECHNICAL DATA** paragraph of this manual and on the product label.

Characteristics of the support on which it can be positioned and used

The support must be as horizontal as possible and must ensure an overall capacity, referring to the entire surface, equal to the overall weight of the machine (see **TECHNICAL DATA**), increased by appropriate dynamic loads.

Movement of the machine

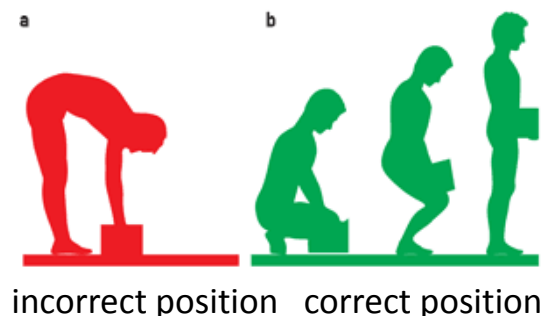
The machine must be moved assembled or dismantled (in its main parts), one unit at a time. After first positioning, you can move the coffee grinder for production, logistical or dismantling reasons. In all cases, movement must be carried out according to the same movement procedures indicated in the following paragraphs.

Manual movement

The weight of the assembled coffee grinder is outlined in this manual and the plate glued to it. The weight and reduced dimensions allow the operator to carry out manual movement without any problems.

To carry out the manual movement operation of the coffee grinder, simply:

- Ensure the operator holds it firmly and safely.
- Ensure the operator lifts it by paying particular attention not to bend his back (see following image for correct posture)



CONNECTION

Warning

All the machines are tested and tuned by the manufacturing company before dispatch and delivery to the user. During the pre-use connection phase, you need to reset the conditions and the settings carried out during testing.

Before starting to position and connect the coffee grinder to the electricity mains, completely remove the packaging material.

Positions

The positions in which the coffee grinder can be used must meet the following requirements:

- The position chosen must allow easy connection of the power supply plug to the electricity mains
- The cables must not be rested on the floor, but placed in metal channels which are protected and possibly suitable for vehicle circulation. If this type of positioning is impossible, their path should be signalled.
- The position of the machine must be chosen so they cannot be struck by vapour jets, water or other liquids.

Temperature

- On: from 5 °C to 30 °C.
- Off: from -5°C to 40 °C.
- During storage and before connection: from -5°C to 40 °C.

Relative humidity (no condensation)

- On: from 30% to 80% ±5 %.

- Off: from 30% to 80% $\pm 5\%$.
- During storage and before connection: from 30% to 80% $\pm 5\%$.

Lighting conditions

The lighting system (natural and/or artificial) of the positioning, use and maintenance area of the coffee grinder must ensure the following minimum lighting value: **200 lux**.

Configuration and connection procedures

The appliance must be positioned on a stable and flat surface.

Before inserting the plug, check the voltage and frequency values of the electricity mains correspond to those indicated on the label containing the technical data of the appliance.

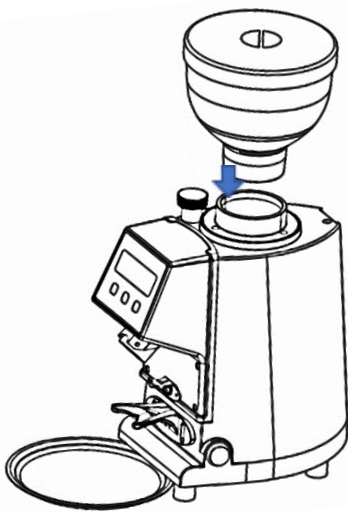
The current socket must be supplied with an efficient ground contact. It is therefore important for the ground system to be sufficient and comply with the current safety standards. If in doubt, have professionally qualified staff carry out an accurate control on the system.

It is compulsory to connect the appliance to the ground.

The manufacturer cannot be held in any way liable if this standard is not respected.

Do not use extensions, electrical adaptors for multi-sockets or flying connections.

The rotation direction of the motor must be clockwise. The possible rotation inversion of the three-phase motors by inverting the two power supply conductors inside the plug must be carried out by qualified staff.



In EEC states, the standard in force foresees for correct installation of an appliance, the external equipotential terminal on the outer part of the base plate of the appliance must be connected to an equipotential node.

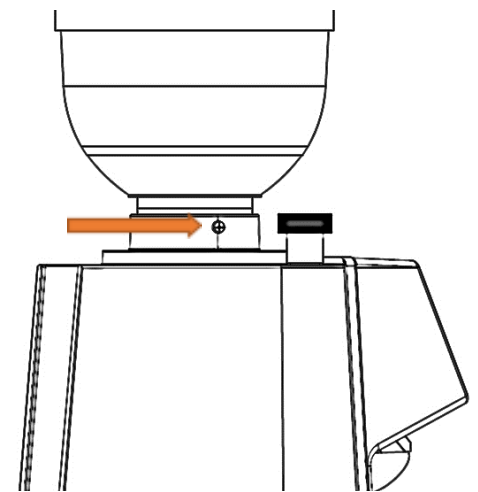
Carefully clean the appliance before first installation, in particular follow the instructions in the following chapters.

Do not install the appliance near water dispensers or similar products which can also accidentally project water jets on the

appliance.

The cover must be fastened to the upper burr-holder using the specific safety screw (see images).

The appliance is only suitable for indoor use. Do not use the appliance outdoors.



Section 4

Use

USE OF THE MACHINE

SWITCH ON AND SWITCH OFF

To access the coffee grinder having connected the power supply plug, simply rotate the switch to position “1”. The operating cycle planned for the appliance is 5sec ON, 20sec OFF.

START PROCESSING

ON-DEMAND ELECTRONIC COFFEE GRINDER

The ON-OFF switch is used to switch on and off the appliance.

To switch on: set the switch to “1”. To switch off: set the switch to “0”.

When it is on, the display lights up and the writing “FRESH COFFEE” appears.

Having positioned the filter holder on the specific support, simply place your finger:

- on the "one cup" icon on the left, to grind and supply a single dose;
- on the "two cups" icon on the right, to grind and supply a double dose;
- on the “hand” icon found at the centre, to grind manually: supply stops as soon as the operator lifts his finger.

To confirm supply is about to start, a short acoustic signal is emitted. In order for the display to detect the command, it is not necessary to forcefully press the button, but ensure you press with your full fingertip and not just the tip of your finger or nail. Supply of the single or double dose can also be activated by pressing the button over the filter holder support with the cup. From the menu settings, the button can be managed in 3 ways:

- **STANDARD: a click a dose, two clicks or more double dose;**
- **DOUBLE DOSE: a click or more always supplies two doses**
- **DISABLED: to bypass button operation**

To switch off the appliance, rotate the knob of the switch on position 0.

DANGER

IT IS FORBIDDEN TO MODIFY THE COMMAND SYSTEM THE MANUFACTURING COMPANY CANNOT BE HELD LIABLE FOR IMPROPER AND UNAUTHORISED USE OF THE COFFEE GRINDER FOLLOWING TAMPERING AND NEGLIGENCE BY THE OPERATOR.



DANGER

ANYONE CARRYING OUT ANY OPERATION WITH THE COFFEE GRINDER MUST KNOW THE MEANING AND USE OF THE COMMAND SYSTEM.

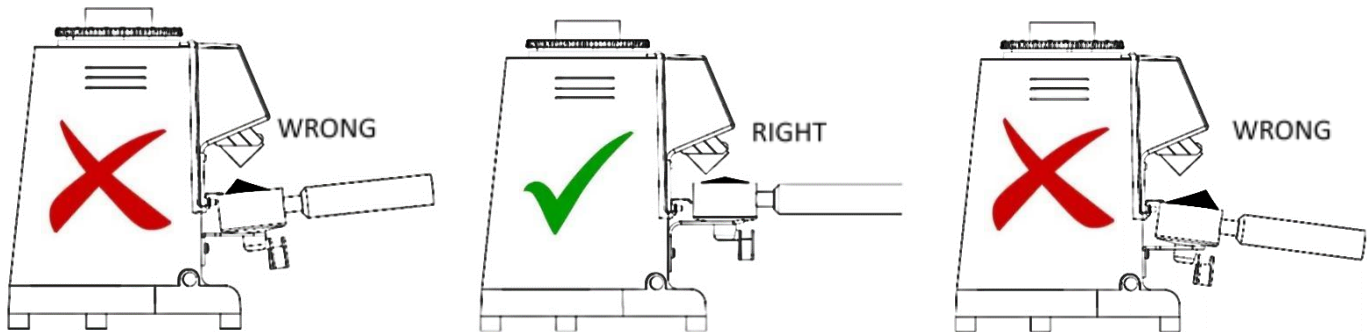
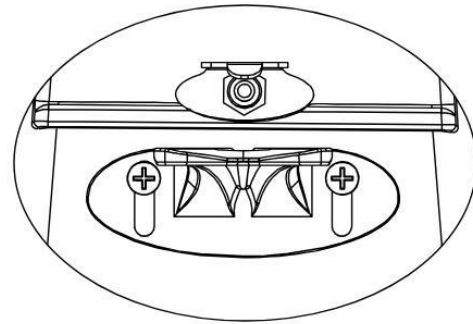
ATTENTION



THE EFFICIENCY OF THE COMMAND DEVICE IS GUARANTEED SUBORDINATE TO USE OF THE MACHINE IN AN APPROPRIATE MANNER AS DESCRIBED IN THIS MANUAL, IN PARTICULAR MAINTENANCE OPERATIONS MUST BE SCRUPULOUSLY CARRIED OUT AS DESCRIBED IN THE MAINTENANCE SECTION AND THEY MUST NOT BE MODIFIED.

LIFT AND LOWER THE SUPPORT USING THE
ALZARE E ABBASSARE IL SUPPORTO TRAMITE LE VITI

TO IDENTIFY THE CORRECT POSITION.



ADJUSTMENT OF GRINDING

Always ensure the bean hopper is positioned correctly before starting to adjust grinding.

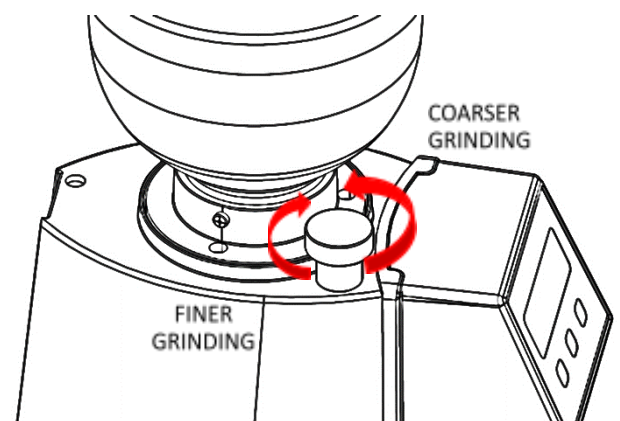
To grind the coffee more or less fine, you must use the knob placed under the bean hopper.

To increase the size of the ground coffee, you need to rotate the ring nut anti-clockwise: to decrease it, you need to rotate the knob clockwise.

The knob remains in the desired position without any need for stoppage. Adjustment should be carried out with a motor started and possibly without coffee in the burrs.

Grind small quantities of coffee to find the optimal level of grinding. Other than grinding adjustment, there are multiple conditions that influence correct espresso supply: the grammage of the doses, pressing, correct adjustment of the espresso machine, cleaning the filters and atmospheric humidity. If the operator notices supply of the espresso machine is very fast, it means the coffee is ground too coarse and therefore intervention is needed to make it finer. Vice versa, if supply is too slow it means the coffee is ground too fine. When grinding is adjusted excessively finely, so much so the burrs touch, it may be necessary to increase the distance in the burrs to encourage coffee entry in the grinding chamber, turning the ring nut anti-clockwise to then bring it to the desired position.

In Electronic Coffee grinders, before verifying the level of grinding, need to grind a few doses of coffee to fill the tube between the grinding zone and the ground coffee outlet. This operation should be carried out if grinding is varied to empty the tube of previously ground coffee. Variation in the granule size could vary the supply time of the doses, comparable to its weight. Therefore, adjust the dose only after adjusting grinding.

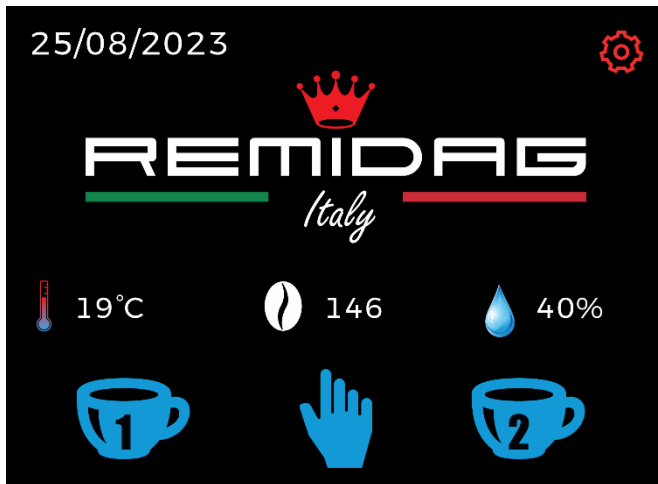


You must also adjust the height of the support, based on the size of the filter holder, to guarantee centring of the coffee supplied (see image).

ADJUSTMENT OF THE DOSE IN ELECTRONIC COFFEE GRINDERS WITH FULL TOUCH DISPLAY

The control panel has a full touch display.

Before increasing or decreasing the supply time you need to ensure you have chosen the desired granule size.



To adjust the supply time relating to the single dose, double and triple, you need to access SETTINGS menu, pressing red gear in the upper right corner of the screen.

Once inside the Settings menu, it's easy to move inside it through the arrows on the sides of the screen.

The first item appearing is the single dose. Immediately you see the established time for a single dose, which can be decreased or increased thanks to the keys “+” and “-”.

Once the desired time is selected it will be automatically saved. Weigh the dose supplied with the precision scale and, if necessary, repeat the operation until desired grams are obtained. Repeat the operation also on the double dose and triple dose if desired, or keep it OFF.

OTHER FUNCTIONALITIES OF THE ELECTRONIC DISPLAY

To access Settings menu, pressing the red gear in the upper right corner of the screen. As explained in detail above, use the arrows on the sides of the screen to move inside the menu.

The programming menu enables setting:

- single dose supply time (+; -)
- double dose supply time (+; -)
- triple dose supply time (+; -; OFF)
- brightness (+; -)
- volume of the acoustic signal (on; off)
- button mode

STANDARD: a click a dose, two clicks double dose, three clicks and more triple dose;

DISABLED: to bypass button operation

- lock menu settings: (locked; unlocked) through a password supplied by Remidag Srl

● burrs wear: shows the number of doses to supply before receiving the warning signal to replace the burrs. Once the worn burrs are replaced with the new ones, push “reset”, put the password supplied by Remidag Srl and choose the suitable type

STANDARD

TITANIUM

RED SPEED

OFF to turn off the reminder

- manual dose: (unlocked; locked) Through a password supplied by Remidag Srl
- date and Hour
- led light: always ON; while GRINDING; always OFF
- counters:
 - o DAILY (d): It resets automatically every day at midnight
 - o WEEKLY (w): It resets automatically every Sunday at midnight
 - o MONTHLY (m): It resets automatically every last day of the month at midnight
- TOTAL (total): life cycle of the coffee grinder, it cannot be reset to zero

DAILY, WEEKLY and MONTHLY can be reset manually by pressing the “reset” button with the password supplied by Remidag Srl

ADJUSTMENT OF THE DOSE IN ELECTRONIC COFFEE GRINDERS WITH STANDARD DISPLAY

The control panel has three back-lit keys for selection of the dose to grind. On pressing it, an acoustic sound is emitted which can be disabled.

Before increasing or decreasing the supply time, you need to ensure you have chosen the desired granule size.



To adjust the supply time relating to the single dose and the double dose, you need to access the SETTINGS, keeping key **A** pressed for approx. 3 seconds.

Once inside the Settings menu, the keys turn yellow and become:

A back/decrease

C forward/increase

B they will allow you to confirm, keeping pressed for 3 seconds (flashing green) or, if pressed for less, to exit (flashing red).

The first item which appears is the single dose. To set the desired time for a single dose of coffee, select the menu item while keeping button **B** (confirm) pressed for 3 seconds, the established supply time will appear, which can be decreased or increased thanks to keys **A** and **C**.

Once the desired time is reached, confirm with key **B** for three seconds, until green flashing. With the precision scales, weigh the dose supplied and, if necessary, repeat the operation until the desired grams are obtained. Repeat the operation to also supply the double dose.

OTHER FUNCTIONALITIES OF THE ELECTRONIC DISPLAY

To access the Settings menu, keep key **A** pressed for approx. 3 sec. and on input confirmation in the Settings menu, the three keys will illuminate in yellow. As explained in detail above, to move in the menu and change the value, use keys **A** and **C**, to select and confirm use key **B** (keep pressed for 3 seconds). Exit the menu after confirming key **B**.

The programming menu enables setting:

- single dose supply time (+; -)
- double dose supply time (+; -)
- mode button STANDARD: a click a dose, two clicks or more double dose;
DOUBLE DOSE: a click or more always supplies two doses
DISABLED: to bypass button operation
- volume of the acoustic signal (on; off)
- brightness (+; -)
- colour of the keys (blue; green; red; turquoise; yellow; purple; white)
- language (Italian; English; German; French; Dutch; Spanish; Portuguese)
- burr wear (allows you to set the number of doses to supply before receiving the warning signal to replace the burrs. Once the worn burrs are replaced with the new ones, choose the suitable type

STANDARD:	50,000 doses; (+; -)
TITANIUM:	280,000 doses; (+; -)
RED SPEED:	320,000 doses; (+; -)
OFF	to disable the memo
- total counter (life cycle of the coffee grinder, it cannot be reset to zero)
- partial counter (can be reset to zero. To reset the counter to zero, keep key B pressed for 3 seconds)
- missing coffee (indicates the number of doses to supply before you need to replace the burrs.



ATTENTION

HARM TO OPERATORS OR DAMAGE TO THE MACHINE FOLLOWING USE DIFFERENT FROM THAT INDICATED IN THIS DOCUMENTATION CANNOT BE ATTRIBUTED TO THE MANUFACTURER COMPANY.

WARNINGS FOR USE

Do not leave the appliance on without coffee in the bean hopper.

In coffee grinders, it is indispensable that the ground coffee coming out is in no way blocked to avoid blocking the appliance. In filling operations of the coffee bean hopper ensure no foreign bodies are inserted. Handle with clean hands. Always re-position the cover of the bean hopper after each filling and during normal use of the equipment.

FIRST INSTALLATION

For correct operation of the burrs on first installation and on each change of burrs, grind some doses of coffee. Do not use these first ground doses to supply the coffee.

Section 5

Maintenance – Decommissioning

PERIODIC MAINTENANCE

It is indispensable to carry out periodic checks on the status of the power supply plug cable. If the power supply plug cable is damaged, ask a qualified technical staff member to intervene to replace it and prevent any risk.

You are advised to only use original spare parts.

To ensure the efficiency of the machine, it is indispensable to have qualified technical staff carry out periodic maintenance with detailed controls on the status of the components most subject to wear.

You need to periodically check the wear status of the burrs. Burrs in excellent condition guarantee high quality grinding with greater productivity and also limits heating.

You need to at least clean once a day all parts coming in contact with foodstuff products in contact with the external environment of the machine, which could get contaminated, always with the machine off and with the plug disconnected. You are advised to only use water and specific detergents.

CLEANING THE APPLIANCE

Remove the power supply voltage of the appliance by removing the plug from the socket before cleaning. The appliance must not be cleaned with a water jet.

Do not install the appliance in premises where cleaning with water jets is planned.

To clean the display, do not use detergents, but only a damp cloth which is well rung. Immediately dry with a dry cloth.

You need to periodically clean the appliance exclusively by qualified technical staff. For cleaning, use cloths or panels which are perfectly clean and sanitised.

Do not use abrasive products to avoid removing the sheen from parts.

BEAN HOPPER

Wash the bean hopper after removing it from the appliance by unscrewing the relevant fastening screw, with water and neutral soap, rinsing it carefully with tepid water and dry it perfectly. After cleaning the bean hopper, it must be fastened to the upper burrs holder using the specific screw.

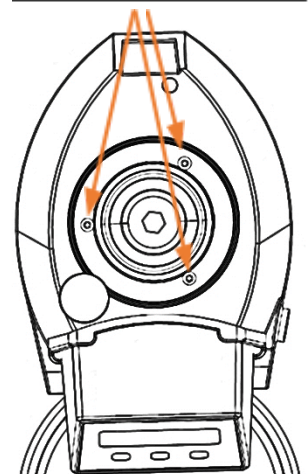
GRINDING SYSTEM

Unscrew the 3 screws that block the upper burr holder. Having removed the upper burr holder, carefully clean the burrs and the entire grinding system using a brush and dry cloth.

Put the upper burr holder in the right position and fix it with the 3 safety screws. Having re-positioned the hopper fasten it appropriately. Lastly, adjust the level of grinding.

In electronic coffee grinders, clean the ground coffee outlet with a dry cloth. For more careful cleaning, the operation must be carried out by qualified technical staff.

GRINDING ADJUSTMENT SPRINGS



EXTRAORDINARY MAINTENANCE

Extraordinary maintenance is required for faults or breakages due to heavy use, unforeseeable accidents or inappropriate use of the machine.

The situations which from time to time can be created cannot be completely foreseeable and therefore it is not possible to describe appropriate intervention procedures.

If necessary, consult the technical support service to receive adequate instructions on the situation.

Extraordinary intervention however requires good work experience in the electrical and mechanical sector and in the presence of this experience, can be carried out by consulting the diagrams attached to this documentation.

In any case, before starting extraordinary intervention, always consult the manufacturer so the correctness of the intervention planned is confirmed.

All ordinary or extraordinary electrical or mechanical intervention planned must however be carried out by specialist staff (see AUTHORISED SUPPORT).

DECOMMISSIONING

The coffee grinder in question is produced and manufactured according to strength, long-lasting and flexibility-based criteria which enable use for many years. Once the end of its technical and operative life has been reached, it must be disabled, i.e. placed out of service and in conditions to however avoid further use for the purposes for which it was originally designed and manufactured, making it however possible to re-use the raw materials composing it.

The same disabling procedures must be complied with in all the following cases:

Placement out of service of the machine for a longer period of inactivity;

Placement out of service and storage of the machine in the warehouse;

Definitive decommissioning of the machine and subsequent dismantling.

NOTE



THE MANUFACTURING COMPANY CANNOT BE HELD IN ANY WAY LIABLE FOR HARM TO PEOPLE OR DAMAGE TO PROPERTY CAUSED BY RE-USE OF INDIVIDUAL PARTS OF THE MACHINE FOR FUNCTIONS OR IN ASSEMBLY CONFIGURATIONS DIFFERING FROM THE ORIGINAL. THE MANUFACTURER COMPANY REJECTS ALL ACKNOWLEDGEMENT, IMPLICIT OR EXPLICIT, OF SUITABILITY FOR SPECIFIC PURPOSES OF PARTS OF THE MACHINE RE-USED AFTER DEFINITIVE DECOMMISSIONING FOLLOWING ITS DISMANTLING.

Decommissioning procedure

To definitively disable the coffee grinder, proceed as follows:

- Ensure the main switch in position "0".
- Disconnect the electrical power supply from the mains.
- Gather the power supply cable and fasten it to the machine to ensure it does not pose an obstacle during movement.

- Protect the machine parts which are not treated (e.g. grease on metal parts without paint) - do not do this if disabling for dismantling.
- Move the machine following the instructions in **section 3 - Movement**.

Dismantling

The materials composing the machine do not require particular dismantling procedures. In case, refer to local standards for dismantling of its materials and its components.

The possibility of re-using certain parts of the machine, both as mechanical units and raw materials for other constructions is sub-ordinate to the total liability of the user.

NOTE



THE MANUFACTURING COMPANY CANNOT IN ANY WAY BE HELD LIABLE FOR DAMAGE CAUSED TO THE MACHINE IF NOT USED IN THE INTEGRAL VERSION AND FOR USES AND METHODS OF USE SPECIFIED IN THIS MANUAL. THE MANUFACTURING COMPANY CANNOT BE HELD IN ANY WAY LIABLE FOR ANY HARM TO PEOPLE OR DAMAGE TO PROPERTY DUE TO RECOVERY OF PARTS OF THE MACHINE USED AFTER ITS DISMANTLING

ITALIANO

Sommario

Sezione 1	35
DEFINIZIONI	35
DATI DEL COSTRUTTORE	36
ASSISTENZA AUTORIZZATA	36
PRESENTAZIONE DEL MANUALE	36
<i>Pittogrammi</i>	37
<i>Obblighi e Pericoli</i>	37
SICUREZZA	38
AVVERTENZE IMPORTANTI	38
Sezione 2	39
GARANZIA	39
AVVERTENZE	40
DESCRIZIONE GENERALE E DATI TECNICI	42
<i>Targhe di identificazione</i>	43
<i>Ripari fissi</i>	43
DISPOSITIVI DI SICUREZZA	43
SICUREZZA CAMPANA	43
OPERAZIONI FATTIBILI	43
USO PREVISTO ED USO NON PREVISTO DELLA MACCHINA	44
<i>Uso Previsto</i>	44
<i>Uso Non Previsto</i>	44
RISCHI RESIDUI	44
<i>Operazioni che comportano rischi per l'operatore:</i>	45
<i>Rischio Residuo Di Schiacciamento</i>	45
Sezione 3	46
MOVIMENTAZIONE	46
<i>Peso della macchina</i>	46
<i>Caratteristiche del supporto su cui può essere posizionato ed utilizzato</i>	46
<i>Spostamento della macchina</i>	46
<i>Movimentazione manuale</i>	46
COLLEGAMENTO	47
<i>Avvertenza</i>	47
<i>Ubicazioni</i>	47
<i>Temperatura</i>	47
<i>Umidità relativa (senza condensazione)</i>	47
<i>Procedure di configurazione e collegamento</i>	47

Sezione 4	48
USO DELLA MACCHINA	48
ACCENSIONE E SPEGNIMENTO	48
AVVIO LAVORAZIONE	48
REGOLAZIONE DELLA MACINATURA	50
REGOLAZIONE DELLA DOSE NEI MACINACAFFE' ELETTRONICI	51
AVVERTENZE PER L'USO	52
Sezione 5	52
MANUTENZIONI PERIODICHE	52
PULIZIA DELL'APPARECCHIO	53
MANUTENZIONI STRAORDINARIE	53
MESSA FUORI SERVIZIO	54
<i>Procedura di disattivazione</i>	54
<i>Smaltimento</i>	55

Sezione 1

Definizioni - Dati del costruttore – Assistenza Autorizzata – Presentazione del Manuale

DEFINIZIONI

Marcatura CE: processo di preparazione del fascicolo tecnico, all'interno del quale si raccoglie la documentazione di tutto ciò che il produttore/fabbricante/importatore/mandatario ha eseguito o verificato sia stato eseguito, per realizzare un prodotto sicuro e conforme alle direttive ed alle norme europee. Nel corso del presente documento il macinacaffè verrà spesso associato ad il termine "macchina".

Marcatura CE: apposizione con varie metodologie e supporti, del marchio CE sui prodotti immessi in libera pratica.

Immissione in libera pratica: messa a disposizione di un terzo, in qualsiasi forma, un prodotto (vendita, noleggio, comodato d'uso, regalo, alienazione, ecc.)

Modifica/adeguamento: attività che cambiano la situazione del prodotto rispetto alla originale, definita dal produttore, tale attività determina la necessità di marcare nuovamente il prodotto, nel rispetto delle leggi attuali.

Produttore: chiunque immetta in libera pratica un prodotto indicando esclusivamente il proprio nome sui documenti che lo accompagnano.

Direttiva: documento emanato dall'autorità centrale europea e che disciplina la sicurezza di una categoria di prodotti. Deve essere recepita da ogni singolo Stato dell'Unione per avere valore di legge in quello Stato.

Regolamento: documento emanato dall'autorità centrale europea che ha valore di legge su tutto il territorio della Unione Europea, senza necessità di recepimento da parte dei singoli Stati.

Norma: documento emanato da un istituto privato e che ha valore indicativo di buon modo di operare, ha valore di legge solo se supportato da un apposito decreto governativo.

Norma armonizzata: documento emanato da un organismo privato, che vale su tutto il territorio europeo ed ha valore di legge se subordinato ad un Regolamento. Il rispetto di una norma è sempre e solo "presunzione" del rispetto della direttiva o del regolamento a cui è armonizzata.

Dichiarazione di conformità: documento che obbligatoriamente deve essere emesso e firmato dal produttore e che deve accompagnare ogni prodotto o lotto di prodotti.

Etichetta CE: indicazioni che devono essere presenti sul prodotto o sulla sua confezione, che indica in modo sintetico che il produttore ha assolto agli obblighi di sicurezza previsti dalla legge.

Certificato CE: documento emesso da un organismo privato, che attesta che un solo campione ha superato determinati test. Il certificato può essere imposto dalla legge oppure volontario, ma non sostituisce mai la marcatura CE, in quanto non fa alcun riferimento alla produzione di serie, può essere quindi integrativo, mai sostitutivo della marcatura CE.

Macchina: insieme di elementi meccanici e non di cui almeno uno mobile grazie alla forza non umana o animale, anche se privo di fonte di energia applicata, ma che è destinata ad essere accoppiata con una fonte di energia. L'insieme di più macchine, che diventano allora

“quasi macchine”, diventa a sua volta una macchina. Rientrano nella direttiva macchine anche i sistemi di sollevamento, anche se manuali.

DATI DEL COSTRUTTORE

Nome ditta	Remidag S.r.l.
Sede ditta	Via Padova, 4/A – 35010 – Trebaseleghe (PD)
P.IVA	04804510289
Nome prodotto	MST
Tel. Ufficio	+39 049 9387766
E_mail	info@remidag.it
Sito web	www.remidag.it

ASSISTENZA AUTORIZZATA

La manutenzione e l'assistenza tecnica può essere eseguita esclusivamente dalla ditta produttrice o da un tecnico incaricato dalla stessa.

PRESENTAZIONE DEL MANUALE

NOTA



AL RICEVIMENTO DEL MACINACAFFÈ, PRIMA DI ESEGUIRE QUALSIASI OPERAZIONE DI UTILIZZO, LEGGETE ATTENTAMENTE TUTTE LE DOCUMENTAZIONI INDICATE AL PARAGRAFO PRECEDENTE.

Il presente manuale contiene le istruzioni per il collegamento, l'uso e la manutenzione del macinacaffè **MST-58P E** destinato all'uso professionale.

Il manuale è composto da varie sezioni, ognuna delle quali tratta una serie di argomenti, suddivisi in capitoli e paragrafi. L'indice generale elenca tutti gli argomenti trattati dell'intero manuale.

La numerazione delle pagine è progressiva ed in ogni pagina è riportato il numero della stessa. Questo manuale è destinato al personale preposto al collegamento, all'uso ed alla manutenzione del macinacaffè e ne è relativo alla vita tecnica dopo la sua produzione, utilizzo ed una eventuale vendita.

Nel caso in cui venisse successivamente ceduto a terzi a qualsiasi titolo (vendita, comodato d'uso, o qualsiasi altra motivazione), il macinacaffè deve essere consegnato completo di tutta la documentazione.

Le informazioni contenute in questo manuale non intendono e non possono sostituire le conoscenze e le esperienze possedute dall'utilizzatore, al quale compete comunque in modo esclusivo la responsabilità dell'uso per cui la macchina è stata progettata.

Prima di iniziare qualsiasi operazione su qualsiasi unità è necessario avere almeno letto l'intero manuale e poi approfondito l'argomento relativo alle operazioni che si intendono effettuare.

Questo manuale contiene informazioni di proprietà riservata e non può essere anche parzialmente fornito a terzi per alcun uso ed in qualsiasi forma, senza il preventivo consenso scritto della ditta REMIDAG. SRL

REMIDAG. SRL dichiara che le informazioni contenute in questo manuale sono congruenti con le specifiche tecniche e di sicurezza della macchina cui il manuale si riferisce.

Copia conforme di questo manuale è depositata nel fascicolo tecnico del macinacaffè, conservato presso la sede della ditta REMIDAG. SRL

REMIDAG. SRL non riconosce alcuna documentazione che non sia stata prodotta, rilasciata o distribuita da sé stessa o da un suo mandatario autorizzato.

Convenzioni

Allo scopo di ottenere una più immediata comprensione degli argomenti, nel manuale sono state adottate le simbologie grafiche e tipografiche e convenzioni che vengono di seguito descritte.



NOTA

LE NOTE CONTENGONO INFORMAZIONI IMPORTANTI, EVIDENZIATE AL DI FUORI DEL TESTO CUI SI RIFERISCONO



ATTENZIONE

LE INDICAZIONI DI ATTENZIONE INDICANO QUELLE PROCEDURE LA CUI MANCATA O PARZIALE INOSSERVANZA PUÒ PROVOCARE DANNI ALLA MACCHINA, ALLE SUE COMPONENTI E PUÒ ESPORRE UN OPERATORE A PERICOLI.



PERICOLO

LE INDICAZIONI DI PERICOLO INDICANO QUELLE PROCEDURE LA CUI MANCATA O PARZIALE INOSSERVANZA PUÒ PROVOCARE DANNI O LESIONI GRAVI ALLA SALUTE DELL'OPERATORE O DI ALTRE PERSONE NELLE VICINANZE. DANNI GRAVI ALLA MACCHINA.

Pittogrammi

Nella macchina sono presenti i seguenti pittogrammi:

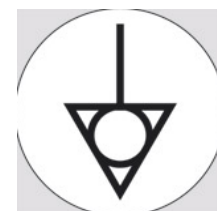
Obblighi e Pericoli



Obbligo di lettura del manuale di uso e manutenzione



Pericolo di elettrocuzione
Zona sotto tensione



Equipotenziale

**ATTENZIONE!**

Le targhe di avvertimento ed i pittogrammi che svolgono funzione di sicurezza non devono essere rimosse, coperte o danneggiate.

SICUREZZA

Le operazioni di manutenzione devono essere eseguite da personale qualificato ed autorizzato.

Osservate le indicazioni sulle norme di sicurezza specifiche da applicarsi all'uso e manutenzione della macchina contenute nel capitolo

NORME GENERALI DI SICUREZZA.

Qualsiasi tipo d'intervento, anche di manutenzione, deve sempre essere effettuato a macchina spenta. Nell'eseguire tali interventi, attenetevi scrupolosamente alle istruzioni riportate sul manuale d'istruzioni.

PERICOLO

SCOLLEGARE LA MACCHINA DALL'IMPIANTO ELETTRICO, POSIZIONANDO L'INTERRUTTORE GENERALE IN "0" E SCOLLEGANDO LA SPINA DALLA PRESA DI CORRENTE, PRIMA DI EFFETTUARE QUALUNQUE OPERAZIONE DI PULIZIA O MANUTENZIONE ALLE PARTI INTERNE.

Per qualsiasi intervento di manutenzione, messa a punto, smontaggio e rimontaggio etc. oltre alle indicazioni contenute nel presente manuale, devono essere rispettate le norme di sicurezza generali sul lavoro vigenti nel luogo in cui tali operazioni vengono svolte.

Finito un intervento, verificate di aver ripristinato tutti i collegamenti, aver rimontato scocca e protezioni e serrato bene le viti.

Controllate di non aver lasciato alcun oggetto od utensile all'interno della macchina.

Finito l'intervento di manutenzione, prima di alimentare ed accendere il macinacaffè assicuratevi di aver ripristinato tutti i dispositivi di sicurezza che per esigenze di intervento siano stati rimossi.

AVVERTENZE IMPORTANTI

L'operatore che utilizza il macinino deve essere un adulto responsabile, e non un minore o persona incapace di adoperare in sicurezza tali apparecchiature.

Questo apparecchio può essere utilizzato da bambini di età superiore agli 8 anni e da persone con limitate capacità fisiche, sensoriali o mentali o che non dispongono della necessaria esperienza e/o conoscenza, a condizione che l'uso avvenga sotto la supervisione di una persona responsabile o che vengano impartite loro istruzioni su come utilizzare l'apparecchio e a condizione che essi comprendano i rischi che ne possono derivare. I bambini non devono

giocare con l'apparecchio. La pulizia e manutenzione dell'apparecchio non possono essere fatte da bambini senza la supervisione di un adulto.

Quando si utilizza il macinino, è necessario adottare le seguenti precauzioni:

Non immergere l'apparecchio in acqua.

Non utilizzare con mani o piedi bagnati.

Non utilizzare con piedi nudi.

Non esporre il macinino al sole o altre condizioni atmosferiche.

Non collocare nessun tipo di oggetto all'ingresso o all'uscita del caffè mentre il macinacaffè è in funzione. (Si tenga presente che le macine continuano a girare per un paio di giri dopo che il macinacaffè è stato spento).

Per scollegare il macinino, utilizzare l'interruttore di alimentazione principale e mai il cavo di alimentazione, per evitare un possibile corto circuito

Sezione 2

Garanzia – Avvertenze - Descrizione generale e dati tecnici - Dispositivi di sicurezza – Operazioni Fattibili - Uso previsto e non previsto della macchina – Rischi residui

GARANZIA

Le norme di garanzia, elencate integralmente nel contratto d'acquisto, hanno valore soltanto se la macchina è impiegata nelle condizioni di uso previsto.

Fatta esclusione per gli interventi di manutenzione ordinaria e straordinaria descritti alla **sez. MANUTENZIONE** ed eseguiti con le procedure indicate, qualsiasi riparazione o modifica apportata al macinacaffè dall'utilizzatore o da ditte non autorizzate determina il decadimento della garanzia.

La garanzia non si estende ai danni causati da imperizia o negligenza nell'uso del macinacaffè, o da cattiva od omessa manutenzione.

I prodotti da noi venduti sono coperti da garanzia per quanto riguarda le seguenti condizioni:	
1	<i>La garanzia è valida per un periodo di dodici (12) mesi.</i>
2	<i>La Ditta produttrice si assume l'impegno di sostituire a propria discrezione le parti mal funzionanti o di errata fabbricazione, solo dopo un accurato controllo e riscontro di cattiva costruzione.</i>
3	<i>Sono sempre a carico del compratore le spese di trasporto e/o spedizione in caso di errato utilizzo dei termini di garanzia.</i>
4	<i>Durante il periodo di garanzia le componenti sostituite diventano di proprietà del produttore.</i>
5	<i>Di questa garanzia può beneficiare solamente l'acquirente originale che abbia rispettato le indicazioni di normale manutenzione contenute nel manuale. La nostra responsabilità sulla garanzia scade nel momento in cui: il proprietario originale ceda la proprietà della macchina, oppure siano state apportate modifiche alla stessa</i>
6	<i>La garanzia non comprende danni derivati da un'eccessiva sollecitazione come ad esempio l'utilizzo della macchina dopo la constatazione di un'anomalia, dall'utilizzo di metodi</i>

	<i>d'esercizio non adeguati nonché dalla mancata osservazione delle istruzioni d'uso e manutenzione.</i>
7	<i>Il produttore non si assume alcuna responsabilità per eventuali difficoltà che dovessero sorgere nella rivendita o nell'utilizzo all'estero dovuto alle disposizioni in vigore nel Paese in cui la macchina è stata venduta.</i>
8	<i>La macchina o parti difettose della stessa devono essere consegnate alla Ditta produttrice per la sostituzione; in caso contrario la parte sostituita sarà addebitata all'acquirente.</i>

Avviso: qualora si ritenesse necessario l'utilizzo della garanzia, Vi preghiamo di indicare i seguenti dati:

1	<i>Tipologia</i>
2	<i>Data di acquisto (presentazione del documento d'acquisto)</i>
3	<i>Descrizione dettagliata del problema</i>

NOTA



IL MANCATO RISPETTO DELLE MODALITÀ DI INTERVENTO ED USO DELLA MACCHINA DESCRITTI NELLA PRESENTE DOCUMENTAZIONE (MANUALE DI USO E MANUTENZIONE E DOCUMENTAZIONI ALLEGATE) COMPORTA IL DECADIMENTO DEI TERMINI DI GARANZIA.

La garanzia non copre fermi macchina, mancata produzione etc.

AVVERTENZE

Qualora parte della documentazione fosse anche parzialmente mancante od illeggibile, consultate il responsabile del fascicolo tecnico prima di eseguire qualsiasi ulteriore operazione sulla macchina.

Il personale destinato all'uso ed alla manutenzione del macinacaffè, deve leggere il manuale d'uso e manutenzione, prestando particolare attenzione alle norme generali di sicurezza e alle modalità di esecuzione contenute nelle sezioni relative alle operazioni di propria competenza.

In questo capitolo sono descritte le norme generali di sicurezza da osservarsi durante qualsiasi operazione eseguita con il macinacaffè. Le procedure d'intervento, descritte nei capitoli successivi, devono essere eseguite rispettando sia le modalità di esecuzione indicate, sia le norme di sicurezza generali di questo capitolo.

Le norme di sicurezza e le procedure d'uso e manutenzione dei presenti manuali sono un complemento alle norme generali di sicurezza sul lavoro che devono comunque essere rispettate.

Settori industriali o nazioni diverse possono avere diverse normative relative alla sicurezza. Si precisa pertanto che in tutti i casi in cui le norme del manuale fossero in conflitto oppure riduttive rispetto alle norme del settore industriale o della nazione in cui il macinacaffè viene

utilizzato, le norme del settore industriale o della nazione avranno comunque valore prioritario su quelle del manuale.

NOTA



LA DITTA PRODUTTRICE NON PUÒ ESSERE RITENUTA IN ALCUN CASO RESPONSABILE DI INCIDENTI O DANNI CONSEGUENTI ALL'USO del macinacaffè DA PARTE DI PERSONALE NON ADEGUATAMENTE ISTRUITO E DELEGATO O CHE NE ABBA FATTO UN USO INAPPROPRIATO, NONCHÉ DALL'INOSSERVANZA ANCHE PARZIALE DELLE NORME DI SICUREZZA E PROCEDURE DI INTERVENTO DESCRITTE NELLA DOCUMENTAZIONE.

La non osservanza delle norme d'uso e delle modalità di intervento contenute nel manuale determina inoltre il decadimento dei termini di garanzia.

Generalità

Scopo principale di questo manuale è quello di avvicinare in maniera semplice e graduale l'operatore alla normativa di prevenzione infortuni e a quelle norme comportamentali che sono alla base di un corretto e sicuro utilizzo della macchina, prevenendo, per quanto possibile, il verificarsi di infortuni.

Le disposizioni di legge sono elencate brevemente per non appesantire la struttura del libretto, ma offrono comunque un buon riferimento per coloro che desiderassero ampliare questo argomento. Con l'entrata in vigore del D.lgs. n. 626 del 19/09/1994 e successive modifiche (81/08 e successivi), il legislatore ha introdotto il principio che tutte le attrezzature particolari, debbano essere utilizzate dall'operatore solo dopo una formazione adeguata e specifica. Questa formazione deve garantire che l'uso della macchina avvenga in modo corretto, in relazione ai rischi che possono essere causati a sé stessi o ad altre persone. Pertanto l'uso di questa macchina deve essere riservato solo a personale incaricato.

Norme di sicurezza

Durante l'utilizzo del macinacaffè potrebbero verificarsi situazioni di funzionamento non corretto non previste dai manuali. Queste situazioni, del tutto anomale, possono a volte essere causate da fattori ambientali o da guasti fortuiti non prevedibili dal costruttore.

Nel caso si verificasse una qualsiasi anomalia non prevista dopo aver alimentato il macinacaffè:

Disalimentarlo estraendo la spina dalla presa di corrente.

Contattare immediatamente l'assistenza tecnica.

Nel caso si verificasse un blocco imprevisto del macinacaffè:

Spegnerlo, posizionando l'interruttore generale in posizione "0".

Disalimentarlo estraendo la spina dalla presa di corrente.

Verificare se nel presente manuale sono contenute le indicazioni sufficienti e necessarie per sbloccarlo in totale sicurezza (vedi **Rischi Residui**). In alternativa contattare immediatamente l'assistenza tecnica per ricevere indicazioni precise.

Nel caso si verificassero problemi di natura elettromagnetica a seguito dell'accensione ed utilizzo del macinacaffè:

Spegnerlo, posizionando l'interruttore generale in posizione "0".

Disalimentarlo estraendo la spina dalla presa di corrente.

Contattare immediatamente l'assistenza tecnica.

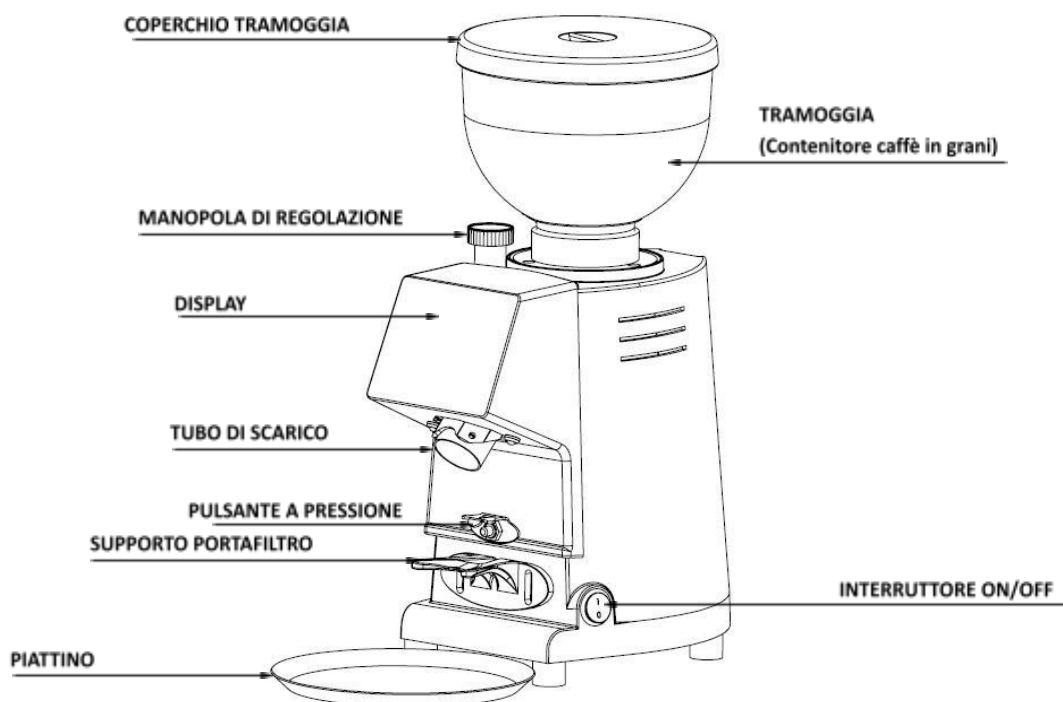
Se ritenete di dover eseguire un'operazione od un intervento non previsto o seguendo una procedura diversa da quelle indicate dal manuale, prima di procedere consultate la ditta produttrice REMIDAG. SRL

Il manuale deve essere custodito dal personale a cui è stato assegnato il compito di gestione, utilizzo e manutenzione del macinacaffè. In caso di deterioramento o smarrimento potrà essere richiesta dal Committente al servizio di sicurezza interno della REMIDAG. SRL una copia conforme, suggeriamo di tenere una copia di sicurezza in luogo in cui non possa essere danneggiata o smarrita.

Per prevenire situazioni di pericolo è necessario che tutti gli addetti leggano attentamente il manuale d'uso e manutenzione, assicurandosi di avere compreso le modalità di uso e di intervento prima di iniziare ad utilizzare in qualsiasi forma il macinacaffè.

DESCRIZIONE GENERALE E DATI TECNICI

Il prodotto descritto nel presente documento è un macinacaffè professionale con macine piane da 58mm realizzato con materiali adatti al contatto con i prodotti alimentari in conformità al Regolamento 1935/2004/CE. Il macinacaffè in esame macina la dose di caffè al momento e permette di lavorare sempre con caffè fresco. Prodotto professionale adatto per attività che consumano fino a 1,5kg di caffè al giorno.



Rumorosità

Il rumore prodotto del macinacaffè non supera il valore di 70dB, quindi non è necessario per l'utente indossare cuffie protettive durante le fasi di lavoro.

Targhe di identificazione

Il macinacaffè è dotato di una targhetta di identificazione su cui sono riportati gli estremi identificativi e i principali dati tecnici relativi a pesi e alimentazioni.

**ATTENZIONE**

PER SALVAGUARDARE L'INTEGRITÀ DI TUTTI I COMPONENTI DEL MACINACAFFÈ È INDISPENSABILE RISPETTARE I DATI TECNICI RIPORTATI SULLA TARGHETTA.

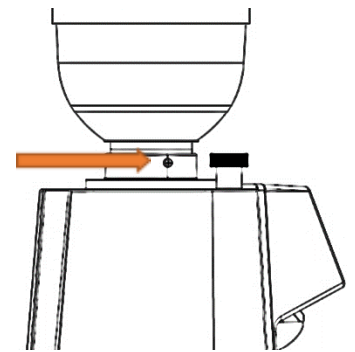
La targhetta di identificazione riporta anche la marcatura CE.

Ripari fissi

Le parti sotto tensione, le componenti mobili della macchina e le parti che raggiungono temperature pericolose sono precluse al contatto ed isolate per mezzo di ripari fissi ovvero ripari che per essere rimossi necessitano di attrezzature particolari. È vietato far funzionare la macchina con ripari fissi rimossi dalla loro sede.

VITE DI SICUREZZA CHE TIENE LA TRAMOGGIA ATTACCATA AL MACININO IMPEDENDO DI RAGGIUNGERE LE MACINE ROTANTI AD UN OPERATORE.

VITE CHE AL MOMENTO DELL'INSTALLAZIONE DEL MACINACAFFÈ DEVE ESSERE ASSOLUTAMENTE AVVITATA NEL FORO DEDICATO DELLA TRAMOGGIA.

**DISPOSITIVI DI SICUREZZA****SICUREZZA CAMPANA**

La campana deve essere sempre fissata al supporto campana tramite l'apposita vite che non deve mai essere rimossa dall'utente. Per proteggere la rimozione del porta macine superiore e il conseguente accesso alle parti rotanti sono presenti sul porta macine superiore 3 viti che non devono mai essere rimosse dall'utente.

OPERAZIONI FATTIBILI**ATTENZIONE**

POICHÈ SAREBBE IMPOSSIBILE DESCRIVERE TUTTE LE OPERAZIONI CHE NON DEVONO O NON POSSONO ESSERE ESEGUITE, SI RITENGA CHE TUTTE LE OPERAZIONI (DIVERSE DALLE NORMALI) CHE NON SONO ESPLICITAMENTE DESCRITTE NEI MANUALI DEL MACINACAFFÈ, SONO DA CONSIDERARSI NON FATTIBILI.

Le operazioni fattibili sono quelle indicate nel presente manuale nella sezione **USO PREVISTO**. Tutto ciò che non è fattibile, nonché l'inosservanza parziale o totale delle procedure descritte nei manuali, può essere causa non solo di errori in fase di lavoro, ma anche di incidenti tali da causare gravi danni alla macchina ed ai suoi addetti.

NOTA



LA DITTA PRODUTTRICE NON PUÒ ESSERE RITENUTA IN ALCUN CASO RESPONSABILE DI INCIDENTI O DANNI CONSEGUENTI AD USI NON PREVISTI E NON AUTORIZZATI DEL MACINACAFFÈ.

USO PREVISTO ED USO NON PREVISTO DELLA MACCHINA

Questi apparecchi sono destinati ad essere utilizzati per applicazioni commerciali, ad esempio in cucine di ristoranti, mense, ospedali e in imprese commerciali come panifici, macellerie, ecc., ma non per la produzione continua e di massa di alimenti.

Uso Previsto

Il macinacaffè **MST-58P** È stato progettato e costruito solo ed esclusivamente come macchina per la macinazione di chicchi di caffè in polvere di caffè pronta per essere utilizzata. Tutte le operazioni di lavoro prevedono un solo operatore il quale deve **SEMPRE** rimanere sul fronte della macchina.

Uso Non Previsto

Non è previsto alcun uso differente da quelli descritti al paragrafo **USO PREVISTO**. È inoltre assolutamente vietato:

- L'utilizzo del macinacaffè o di parti di esso per impieghi diversi da quelli previsti. La sostituzione di parti e componenti della macchina con altre non riconosciute da REMIDAG. SRL
- Manomettere/modificare la macchina.
- Il riutilizzo di qualsiasi parte della macchina dopo la messa fuori servizio, solleva la ditta produttrice da qualsiasi responsabilità derivante dal suo uso.

NOTA



LA DITTA PRODUTTRICE NON PUÒ ESSERE RITENUTA IN ALCUN CASO RESPONSABILE DI INCIDENTI O DANNI CONSEGUENTI AD USI NON PREVISTI E DELEGATI DEL MACINACAFFÈ.

RISCHI RESIDUI



ATTENZIONE

NEL CASO SI RICONTRINO PROBLEMI DERIVANTI DA UN POSSIBILE GUASTO ELETTRICO, SPEGNERE LA MACCHINA. SUCCESSIVAMENTE SCOLLEGARE LA SPINA DALLA PRESA DI CORRENTE A CUI È COLLEGATA.

Sul macinacaffè sono applicati dei pittogrammi (vedi **PITTOGRAMMI**). Devono essere mantenuti puliti e ripristinati ogni qualvolta vengano tolti o risultino danneggiati.

PERICOLO



L'ACCESSO ALLE PARTI INTERNE DELLA MACCHINA DEVE ESSERE EFFETTUATO SOLTANTO PER OPERAZIONI DI MANUTENZIONE, SOLTANTO DA PERSONALE AUTORIZZATO E CHE ABBAIA PREVENTIVAMENTE LETTO IL MANUALE.

Prima di intervenire sul macinacaffè per una manutenzione è necessario scollegarlo dalla rete elettrica.

Nel caso la macchina si bloccasse durante l'utilizzo è necessario:

- Posizionare il comando di accensione in posizione "0".
- Lasciare raffreddare la macchina per un tempo di almeno 10 minuti.
- Posizionare il comando di accensione in posizione "1".
- Se la macchina non riparte, contattare il servizio di assistenza tecnica (***Vedi assistenza autorizzata***).

Importante:

- Non introdurre le mani, od oggetti tenuti con le mani dove esistono parti in movimento (precluse dai ripari fissi).
- Assicurarsi che non vi siano cavi poggiati sulla pavimentazione.
- Non bagnare con acqua od altri liquidi le connessioni elettriche e le componenti interne.
- Assicurarsi che la zona di collegamento, lavoro e manutenzione della macchina abbia un'illuminazione di almeno 200 lux.
- Le manutenzioni devono essere fatte solo ed esclusivamente seguendo le istruzioni nel manuale.

Operazioni che comportano rischi per l'operatore:

Nelle operazioni di messa in funzione attenersi alle norme generali antinfortunistiche.

In particolare:

- se si interviene su parti elettriche assicurarsi che non siano sotto tensione;

Già in fase di progettazione sono state adottate soluzioni finalizzate a rendere sicuro l'impiego della macchina in tutte le fasi di utilizzo: trasporto, regolazione, attività e manutenzione. Ciò nonostante non tutti i possibili rischi per gli operatori e per l'ambiente sono stati eliminati, sia per motivi di ordine tecnologico (affidabilità dei dispositivi) che gestionale (difficoltà eccessive di eliminazione), di conseguenza sono segnalati i rischi residui presenti, es: folgorazione, cesoiamento, ecc.

Rischio Residuo Di Schiacciamento

- Non introdurre le mani, piedi od altre parti del corpo all'interno di una parte in movimento della macchina quando questa è in uso. Vi è un elevato pericolo di schiacciarsi un arto o comunque farsi male.

Sezione 3

Movimentazione - Collegamento - Avvertenze Importanti

MOVIMENTAZIONE

Controllate al ricevimento l'integrità del macinacaffè e delle sue parti. Se riscontrate qualsiasi danno, mancanza, deformazione o traccia di urti dovuti al trasporto, datene comunicazione alla ditta produttrice prima di procedere alle operazioni successive.

In particolare verificate l'integrità di:

- Cavi elettrici di alimentazione.
- Dispositivi di comando.
- Tramoggia.

Peso della macchina

Il peso del macinacaffè viene riportato al paragrafo **DATI TECNICI** del presente manuale e sull'etichetta del prodotto.

Caratteristiche del supporto su cui può essere posizionato ed utilizzato

Il supporto deve essere il più possibile orizzontale e deve assicurare una portata complessiva, riferita all'intera superficie, pari al peso complessivo della macchina (vedi **DATI TECNICI**), maggiorato di opportuni carichi dinamici.

Spostamento della macchina

La macchina deve essere movimentata montata o smontata (nelle sue parti principali), una singola unità per volta.

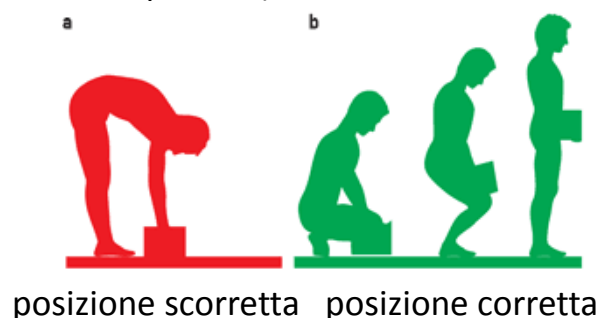
Dopo il primo posizionamento, è possibile spostare il macinacaffè per motivi produttivi, logistici o per lo smaltimento. In tutti i casi, la movimentazione deve essere eseguita seguendo le stesse procedure di movimentazione indicate nei paragrafi seguenti.

Movimentazione manuale

Il peso del macinacaffè assemblato è riportato nel presente manuale e nella targhetta incollata ad esso. Il peso e le dimensioni ridotte, permettono ad un operatore di eseguire la movimentazione manuale senza problema alcuno.

Per eseguire l'operazione di spostamento manuale di un macinacaffè è sufficiente:

- Che l'operatore lo afferri in modo saldo e sicuro.
- Che l'operatore lo sollevi ponendo particolare attenzione a non curvare la schiena (vedi immagine seguente per la corretta postura)



COLLEGAMENTO

Avvertenza

Tutte le macchine sono collaudate e messe a punto dalla ditta produttrice prima della spedizione e della consegna all'utilizzatore. In fase di collegamento pre utilizzo è necessario ripristinare le condizioni ed i settaggi effettuati durante il collaudo.

Prima di iniziare a posizionare e collegare il macinacaffè alla rete elettrica, rimuovere completamente materiale di imballaggio.

Ubicazioni

Le ubicazioni in cui è possibile utilizzare il macinacaffè devono rispondere ai seguenti requisiti:

- La posizione scelta deve consentire un agevole collegamento della spina di alimentazione ad una rete elettrica
- I cavi non devono essere appoggiati sul pavimento, ma alloggiati in canaline metalliche protette ed eventualmente carrabili. Nel caso sia impossibile questo tipo di posizionamento, il loro percorso dovrà essere segnalato.
- La posizione della macchina deve essere scelta in modo che non possa essere investita da getti di vapore, acqua o altri liquidi.

Temperatura

- In funzione: da 5 °C a 30 °C.
- Non in funzione: da -5°C a 40 °C.
- Durante lo stoccaggio e prima del collegamento: da -5°C a 40 °C.

Umidità relativa (senza condensazione)

- In funzione: da 30% a 80% ±5 %.
- Non in funzione: da 30% a 80% ±5%.
- Durante lo stoccaggio e prima del collegamento: da 30% a 80% ±5%.

Condizioni d'illuminazione

Il sistema d'illuminazione (naturale e/o artificiale) della zona di posizionamento, utilizzo e manutenzione del macinacaffè deve assicurare il seguente valore minimo d'illuminamento:

200 lux.

Procedure di configurazione e collegamento

L'apparecchio deve essere posizionato su una superficie stabile e piana.

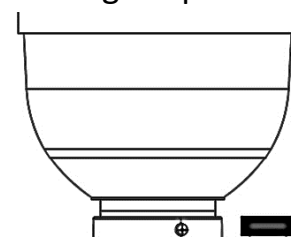
Prima di inserire la spina controllare che i valori di tensione e di frequenza della rete di alimentazione elettrica corrispondano a quelli indicati sull'etichetta contenente i dati tecnici dell'apparecchio.

La presa di corrente deve essere fornita di un contatto di terra efficiente. È importante quindi verificare che l'impianto di messa a terra sia efficace e conforme alle attuali norme di sicurezza. In caso di dubbio far eseguire da parte di personale professionalmente qualificato un accurato controllo all'impianto.

È obbligatorio il collegamento a terra dell'apparecchio.

Il costruttore declina ogni responsabilità qualora questa norma non venga rispettata.

Non utilizzare prolunghie, adattatori elettrici per prese multiple o collegamenti volanti.



Il senso di rotazione del motore deve essere orario. L'eventuale inversione di rotazione dei motori trifase mediante inversione di due conduttori di alimentazione all'interno della spina deve essere effettuata da personale qualificato.

Nei paesi appartenenti alla CEE la normativa vigente prevede che per una corretta installazione dell'apparecchio il morsetto equipotenziale esterno presente sulla parte esterna della piastra di fondo dell'apparecchio debba essere collegato ad un nodo equipotenziale.

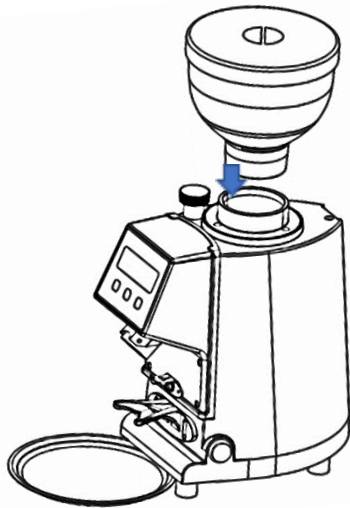


Pulire accuratamente l'apparecchio alla prima installazione in particolare seguire le istruzioni nei successivi capitoli.

Non installare l'apparecchio vicino a dispenser di acqua o a prodotti simili che possono proiettare anche accidentalmente getti di acqua sull'apparecchio.

La campana deve essere fissata al porta-macine superiore con l'apposita vite di sicurezza (vedi immagini).

L'apparecchio è adatto esclusivamente per uso all'interno. Non utilizzare l'apparecchio all'aperto.



Sezione 4

Uso

USO DELLA MACCHINA

ACCENSIONE E SPEGNIMENTO

Per accendere il macinacaffè dopo aver collegato la spina di alimentazione, è sufficiente ruotare l'interruttore in posizione "1". Il ciclo di funzionamento previsto per l'apparecchio è 5sec ON, 20sec OFF.

AVVIO LAVORAZIONE

MACINACAFFÈ ELETTRONICO ON-DEMAND

L'interruttore ON-OFF viene usato sia per accendere che per spegnere l'apparecchio.

Per accendere: impostare l'interruttore su "1". Per spegnere: impostare l'interruttore su "0".

Quando è acceso il display si illumina e appare la scritta "FRESH COFFEE".

Dopo aver posizionato il portafiltro sull'apposito supporto è sufficiente appoggiare il dito:

- sull'icona "una tazza" che si trova a sinistra, per macinare ed erogare una dose singola;
- sull'icona "due tazze" che si trova a destra, per macinare ed erogare una dose doppia
- sull'icona "mano" che si trova al centro, per macinare in modalità manuale: l'erogazione si arresterà non appena il dito verrà sollevato dall'operatore.

A conferma dell'inizio erogazione dose verrà emesso un breve segnale acustico. Affinché il display rilevi il comando non è necessario esercitare una grande pressione sul pulsante, ma assicuratevi di premere con il polpastrello e non con la punta del dito o l'unghia. L'erogazione della dose singola o doppia può anche essere attivata premendo il pulsante sopra il supporto portafiltro con la coppa. Dal menù impostazioni sarà possibile gestire il pulsante in 3 modalità:

- STANDARD: un clic una dose, due clic o più doppia dose;

- DOPPIA DOSE: un clic o più eroga sempre due dosi
- NON ATTIVO: per escludere il funzionamento del pulsante

Per spegnere l'apparecchio ruotare la manopola dell'interruttore sulla posizione "0"

PERICOLO



È VIETATO MODIFICARE IL SISTEMA DI COMANDO. LA DITTA PRODUTTRICE NON SI ASSUME RESPONSABILITÀ DERIVANTI DA USI INAPPROPRIATI E NON AUTORIZZATI DEL MACINACAFFÈ IN SEGUITO A MANOMISSIONE E NEGLIGENZA DI UN OPERATORE.

PERICOLO



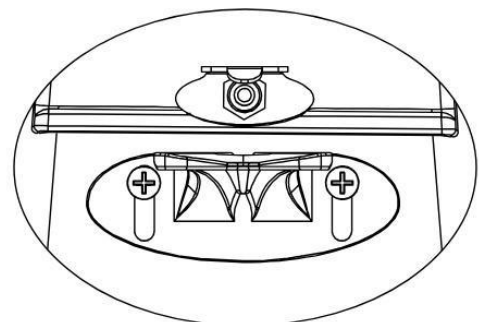
CHIUNQUE DEBBA EFFETTUARE QUALSIASI OPERAZIONE CON IL MACINACAFFÈ DEVE CONOSCERE IL SIGNIFICATO E L'USO DEL SISTEMA DI COMANDO.

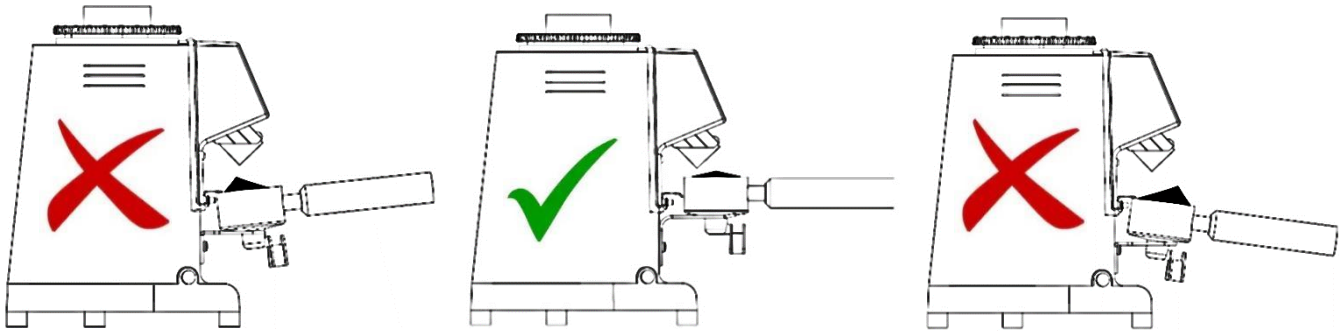
ATTENZIONE



L'EFFICIENZA DEI DISPOSITIVI DI COMANDO È GARANTITA SUBORDINATAMENTE ALL'UTILIZZO DELLA MACCHINA IN MODO APPROPRIATO COSÌ COME DESCRITTO NEL PRESENTE MANUALE, IN PARTICOLARE DEVONO ESSERE EFFETTUATE SCRUPOLOSAMENTE LE OPERAZIONI DI MANUTENZIONE DESCRITTE ALLA SEZIONE MANUTENZIONE E NON DEVONO ESSERE MODIFICATI.

ALZARE E ABBASSARE IL SUPPORTO TRAMITE LE VITI
PER INDIVIDUARE LA POSIZIONE CORRETTA.





REGOLAZIONE DELLA MACINATURA

Assicurarsi sempre che la campana sia posizionata correttamente prima di iniziare a regolare la macinatura.

Per macinare il caffè più o meno fine si deve agire sulla manopola di regolazione posta sotto la campana.

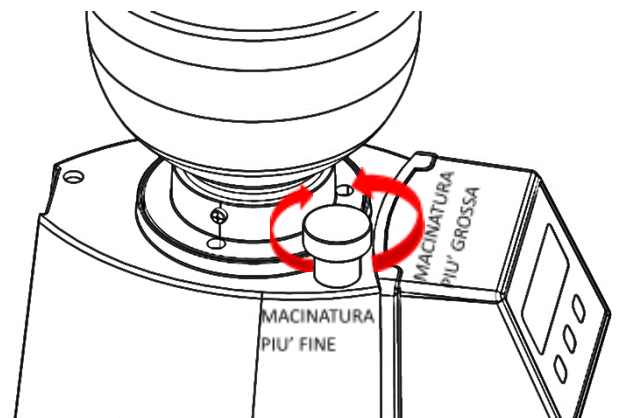
Per aumentare la grossezza del caffè macinato è necessario ruotare la manopola in senso anti-orario; per diminuirla è necessario ruotare la manopola in senso orario.

La manopola rimane nella posizione desiderata senza necessità di alcun arresto. La regolazione va

effettuata con motore avviato e possibilmente senza caffè tra le macine. Macinare piccoli quantitativi di caffè per la ricerca del grado di ottimale. Oltre alla regolazione della macinatura sono molteplici le condizioni che influenzano la corretta erogazione dell'espresso: la grammatura della dose, la pressatura, la corretta regolazione della macchina da espresso, la pulizia dei filtri e l'umidità atmosferica. Se l'operatore nota che l'erogazione della macchina da espresso è molto rapida significa che il caffè è macinato troppo grosso ed è quindi necessario intervenire per renderlo più fine. Se viceversa l'erogazione avviene in maniera troppo lenta significa che il caffè è macinato troppo fine. Quando la macinatura viene regolata in maniera eccessivamente fine, tanto che le macine si sfiorano, può risultare necessario aumentare la distanza delle macine per favorire l'ingresso del caffè nella camera di macinatura, ruotando la manopola in senso antiorario per poi riportarla nella posizione desiderata.

Nei Macinacaffè Elettronici, prima di verificare il grado di macinatura è necessario macinare qualche dose di caffè per riempire il condotto tra la zona di macinatura e la bocchetta di uscita del macinato. Tale operazione va eseguita ogni qualvolta viene variata la macinatura per vuotare il condotto dal macinato precedente. La variazione della granulometria del macinato potrebbe variare il tempo di erogazione della dose, a parità di peso della stessa. Regolare quindi la dose solo successivamente alla regolazione della macinatura.

E' inoltre necessario regolare l'altezza del supporto, in base alla dimensione del portafiltro, per garantire la centratura del caffè erogato (vedi immagine)

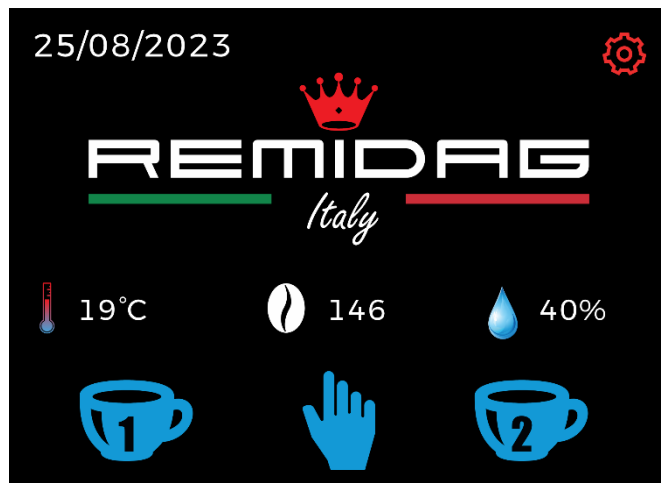


macine.
macinatura
condizioni
della dose,

REGOLAZIONE DELLA DOSE NEI MACINACAFFE' ELETTRONICI CON DISPLAY FULL TOUCH

Il pannello di controllo possiede un display full touch.

Prima di aumentare o diminuire il tempo di erogazione è necessario assicurarsi di aver scelto la granulometria desiderata.



Per regolare il tempo di erogazione relativo alla dose singola, doppia e tripla è necessario accedere alle IMPOSTAZIONI premendo l'ingranaggio rosso in alto a destra dello schermo.

Una volta all'interno del menù impostazioni è semplice spostarsi all'interno dello stesso tramite le due frecce ai lati dello schermo.

La prima voce che appare nel menù è la dose singola, in cui è subito visibile il tempo di erogazione stabilito, che può essere diminuito o aumentato grazie ai tasti + e -. Una volta selezionato il tempo desiderato il settaggio rimarrà salvato automaticamente. Con la bilancia di precisione pesare la dose erogata e, se necessario, ripetere l'operazione fino ad ottenere i grammi desiderati. Ripetere l'operazione per regolare anche la dose doppia e tripla (se lo si desidera, altrimenti lasciare OFF).

ALTRE FUNZIONALITÀ DEL DISPLAY ELETTRONICO

Per accedere al menu Impostazioni premere l'ingranaggio rosso in alto a destra e come spiegato dettagliatamente sopra per muoversi nel menù utilizzare le frecce ai lati dello schermo.

Il menù di programmazione permette di impostare:

- tempo erogazione dose singola (+; -)
- tempo erogazione dose doppia (+; -)
- tempo erogazione dose tripla (+; -; OFF)
- luminosità (+; -)
- volume del segnale acustico (on; off)
- modalità del pulsante
 - STANDARD: un clic una dose, due clic doppia dose e tre clic tripla dose;
 - NON ATTIVO: per escludere il funzionamento del pulsante
- bloccare menù impostazioni (bloccato (locked); sbloccato (unlocked)) tramite password fornita da Remidag Srl
- usura macine mostra il numero di dosi da erogare prima di ricevere il segnale di avviso sostituzione macine. Una volta sostituite le macine usurate con quelle nuove premere il tasto "reset" ed immettere la password che viene fornita da Remidag Srl e scegliere la tipologia di macine:

- STANDARD
- TITANIO
- RED SPEED
- OFF per disattivare il promemoria
- Dose manuale: sbloccato (unlocked); bloccato (locked) tramite password fornita da Remidag Srl
- Data e Ora
- Led (sempre ON, GRINDING si accende solo durante la macinatura, sempre OFF)
- contatori:
 - o GIORNALIERO (d): si azzerava automaticamente ogni giorno a mezzanotte
 - o SETTIMANALE (w): si azzerava automaticamente ogni domenica a mezzanotte
 - o MENSILE (m): si azzerava automaticamente ogni ultimo giorno del mese a mezzanotte
 - o TOTALE (total): Ciclo di vita del macinacaffè, non può essere azzerato

GIORNALIERO, SETTIMANALE e MENSILE sono azzerabili manualmente premendo il tasto “reset” ed inserendo la password fornita da Remidag Srl.

REGOLAZIONE DELLA DOSE NEI MACINACAFFÈ ELETTRONICI CON DISPLAY STANDARD

Il pannello di controllo possiede tre tasti retroilluminati per la selezione della dose da macinare, alla pressione viene emesso un suono acustico, che può essere disattivato. Prima di aumentare o diminuire il tempo di erogazione è necessario assicurarsi di aver scelto la granulometria desiderata.



Per regolare il tempo di erogazione relativo alla dose singola e alla dose doppia è necessario accedere alle IMPOSTAZIONI tenendo premuto per circa 3 secondi il tasto **A**.

Una volta all'interno del menù Impostazioni i tasti si coloreranno di giallo e diventeranno:

A indietro/diminuisci

C avanti/aumenta

B ci permetterà di confermare tenendolo premuto per 3 secondi (lampeggio verde) o, se premuto per un tempo inferiore, di uscire

(lampeggio rosso).

La prima voce che appare nel menù è la dose singola. Per impostare il tempo desiderato per una singola dose di caffè, selezionare la voce del menu tenendo premuto il pulsante **B** (conferma) per 3 secondi, apparirà il tempo di erogazione stabilito, che può essere diminuito o aumentato grazie ai tasti **A** e **C**.

Una volta raggiunto il tempo desiderato confermare con il tasto **B** per tre secondi, fino al lampeggio verde. Con la bilancia di precisione pesare la dose erogata e, se necessario, ripetere l'operazione fino ad ottenere i grammi desiderati. Ripetere l'operazione per regolare anche la dose doppia.

ALTRE FUNZIONALITÀ DEL DISPLAY ELETTRONICO

Per accedere al menu Impostazioni tenere premuto il tasto A circa 3 sec. A conferma dell'ingresso nel menù Impostazioni i tre tasti si illumineranno di giallo. Come spiegato dettagliatamente sopra, per muoversi nel menù e cambiare il valore utilizzare i tasti A e C, per selezionare e confermare utilizzare il tasto B (tenere premuto per 3 secondi). L'uscita dal menù avviene dopo aver confermato con il tasto B.

Il menù di programmazione permette di impostare:

- tempo erogazione dose singola (+; -)
- tempo erogazione dose doppia (+; -)
- modalità del pulsante STANDARD: un clic una dose, due clic o più doppia dose;
DOPPIA DOSE: un clic o più eroga sempre due dosi
NON ATTIVO: per escludere il funzionamento del pulsante
- volume del segnale acustico (on; off)
- luminosità (+; -)
- colore dei tasti (blu; verde; rosso; ciano; giallo; viola; bianco)
- lingua (italiano; inglese; tedesco; francese; olandese; spagnolo; portoghese)
- usura macine (permette di impostare il numero di dosi da erogare prima di ricevere il

segnale di avviso

sostituzione macine. Una volta sostituite le macine usurate con quelle nuove scegliere la tipologia idonea

STANDARD: 50.000 dosi; (+; -)

TITANIO: 280.000 dosi; (+; -)

RED SPEED: 320.000 dosi; (+; -)

OFF per disattivare il promemoria

- contatore totale (ciclo di vita del macinacaffè, non può essere azzerato)
- contatore parziale (azzerabile. Per azzerare il contatore tenere premuto 3 secondi il tasto B)
- caffè mancanti (indica il numero di dosi da erogare prima che sia necessario sostituire le macine.

Nel caso in cui si desiderasse cambiare le macine anticipatamente è possibile azzerare il contatore "caffè mancanti" tenendo premuto 3 secondi il tasto B

Quando si è all'interno del programma di regolazione non è possibile macinare il caffè. Se l'apparecchio viene spento (interruttore in posizione 0) prima di salvare allora le modifiche verranno perse.

ATTENZIONE



DANNI AD OPERATORI od alla macchina A SEGUITO DI UN suo UTILIZZO con MODALITÀ DIVERSE DA QUELLE INDICATE NELLA PRESENTE DOCUMENTAZIONE NON SONO ATTRIBUIBILI ED IMPUTABILI ALLA DITTA PRODUTTRICE.

AVVERTENZE PER L'USO

Non lasciare l'apparecchio in funzione senza caffè nella campana.

Nei Macinacaffè è indispensabile che la fuoriuscita del caffè macinato della bocchetta non sia in alcun modo ostruita onde evitare il blocco dell'apparecchio. Nelle operazioni di riempimento della campana di caffè assicurarsi di non introdurre corpi estranei. Maneggiare con mani pulite. Riposizionare sempre il coperchio della campana dopo ogni riempimento e durante il normale uso dell'apparecchiatura.

PRIMA INSTALLAZIONE

Per un funzionamento corretto delle macine alla prima installazione e ad ogni cambiamento di macine, macinare alcune dosi di caffè. Non utilizzare queste prime dosi macinato per l'erogazione del caffè.

Sezione 5*Manutenzione – Messa fuori servizio***MANUTENZIONI PERIODICHE**

È indispensabile effettuare periodicamente verifiche sullo stato del cavo della spina di alimentazione.

In caso di danneggiamento del cavo della spina di alimentazione richiedere l'intervento di personale tecnico qualificato per la sostituzione in modo da prevenire ogni rischio.

Si raccomanda di utilizzare solo ricambi originali.

Per assicurare l'efficienza della macchina è indispensabile fare effettuare da personale tecnico qualificato la manutenzione periodica con dettagliati controlli sullo stato dei componenti maggiormente soggetti ad usura.

È necessario verificare periodicamente lo stato di usura delle macine. Un ottimo stato delle macine garantisce un'elevata qualità della macinatura con maggior produttività ed inoltre limita il surriscaldamento.

È necessario pulire almeno una volta al giorno, sempre a macchina spenta e con la spina della corrente disinserita tutte quelle parti che vanno a contatto con i prodotti alimentari a contatto con l'ambiente esterno alla macchina che potrebbero essere contaminati. Si raccomanda di utilizzare solamente acqua e detersivi appositi.

PULIZIA DELL'APPARECCHIO

Togliere la tensione di alimentazione dell'apparecchio rimuovendo dalla presa la spina prima di iniziare la pulizia. L'apparecchio non deve essere pulito con un getto d'acqua.

Non installare l'apparecchio in locali in cui è prevista la pulizia con getti d'acqua.

Per pulire il display non utilizzare detersivi, ma solo un panno umido ben strizzato, asciugare subito con un panno asciutto.

È necessario far effettuare periodicamente la pulizia dell'apparecchio esclusivamente da personale tecnico qualificato. Per la pulizia utilizzare panni o pannelli perfettamente puliti e igienizzati.

Non utilizzare prodotti abrasivi per non togliere ai particolari la loro lucentezza.

CAMPANA

Lavare la campana dopo averla rimossa dall'apparecchio svitando la relativa vite di fissaggio,

con acqua e sapone neutro, risciacquarla accuratamente con acqua tiepida ed asciugarla perfettamente. dopo la pulizia la campana deve essere fissata al portamacine superiore tramite l'apposita vite.

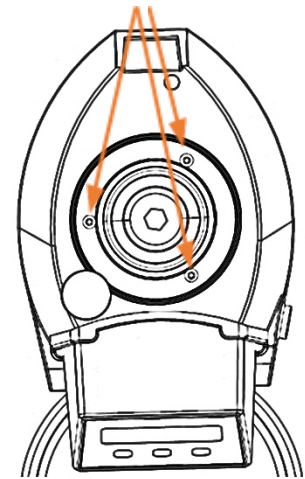
SISTEMA DI MACINATURA

Svitare le 3 viti che tengono fissato il portamacine superiore. Dopo aver tolto il portamacine superiore pulire accuratamente le macine l'intero sistema di macinatura utilizzando un pennello ed un panno asciutto.

Riposizionare il portamacine superiore e fissarlo con le 3, dopo riposizionare la tramoggia fissandola opportunamente, infine effettuare la regolazione del grado di macinatura.

Pulire con un panno asciutto la bocchetta di uscita caffè macinato, per fare una pulizia più accurata l'operazione deve essere svolta da personale tecnico qualificato

MOLLE REGOLAZIONE MACINATURA



e

MANUTENZIONI STRAORDINARIE

Le manutenzioni straordinarie sono richieste in casi di guasti o rotture dovuti ad un intenso sfruttamento, ad incidenti non prevedibili o ad un uso inappropriato della macchina.

Le situazioni che di volta in volta si possono creare sono del tutto imprevedibili e pertanto non è possibile descrivere appropriate procedure di intervento.

In caso di necessità consultate il servizio tecnico per ricevere le istruzioni adeguate alla situazione.

Gli interventi straordinari necessitano comunque di una buona esperienza di lavoro nel settore elettrico e meccanico e in presenza di tale esperienza, possono essere eseguiti consultando gli schemi allegati alla presente documentazione.

In ogni caso, prima di iniziare un intervento straordinario, consultate sempre il produttore perché venga confermata la correttezza dell'intervento previsto.

Tutti gli interventi elettrici o meccanici ordinari o straordinari, devono comunque essere effettuati da personale specializzato (vedi ASSISTENZA AUTORIZZATA).

MESSA FUORI SERVIZIO

Il macinacaffè in oggetto è prodotto e costruito secondo criteri di robustezza, durata e flessibilità che consentono di utilizzarlo per numerosi anni. Una volta raggiunta la fine della sua vita tecnica e operativa, deve essere disattivato, ovvero messo fuori servizio e in condizioni di non poter essere comunque più utilizzato per gli scopi per cui a suo tempo era stato progettato e costruito, rendendo comunque possibile il riutilizzo delle materie prime che lo costituiscono.

Le stesse procedure di disattivazione devono essere osservate in tutti i seguenti casi:

Messa fuori servizio della macchina per un lungo periodo di inattività;

Messa fuori servizio della macchina e stoccaggio in magazzino;

Definitiva dismissione della macchina e successivo smaltimento.

NOTA



LA DITTA PRODUTTRICE NON SI ASSUME ALCUNA RESPONSABILITÀ PER DANNI A PERSONE O COSE DERIVANTI DAL RIUTILIZZO DI SINGOLE PARTI DELLA MACCHINA PER FUNZIONI OPPURE IN CONFIGURAZIONI DI MONTAGGIO DIFFERENTI DA QUELLE ORIGINALI. LA DITTA PRODUTTRICE RIFIUTA QUALUNQUE RICONOSCIMENTO, IMPLICITO OD ESPLICITO, DI IDONEITÀ A SCOPI SPECIFICI DI PARTI DELLA MACCHINA RIUTILIZZATE DOPO LA DEFINITIVA DISATTIVAZIONE IN VISTA DI UN SUO SMALTIMENTO.

Procedura di disattivazione

Per disattivare definitivamente il macinacaffè, procedete nel seguente modo:

- Assicurarsi che l'interruttore generale sia in posizione "0".
- Scollegate la connessione elettrica dalla rete di alimentazione.
- Raccogliete il cavo di alimentazione e fissatelo alla macchina in modo che non costituisca uno ostacolo durante lo spostamento.
- Proteggete le parti della macchina che non hanno trattamento (es. grasso su parti metalliche senza vernice) – da non eseguire in caso di disattivazione per smaltimento.
- Movimentare la macchina seguendo le indicazioni nella **sezione 3 - Movimentazione**.

Smaltimento

I materiali di costruzione della macchina non richiedono particolari procedure di smaltimento. In caso, fate riferimento alle norme locali per lo smaltimento dei suoi materiali e delle sue componenti.

La possibilità di riutilizzare alcune parti della macchina, sia come unità meccaniche che come materie prime per altre costruzioni, è subordinata alla totale responsabilità dell'utilizzatore.

NOTA



LA DITTA PRODUTTRICE NON È IN ALCUN MODO RESPONSABILE DI DANNI CAUSATI DALLA MACCHINA SE NON UTILIZZATA NELLA VERSIONE INTEGRALE E PER GLI USI E LE MODALITÀ D'USO SPECIFICATE NEL PRESENTE MANUALE. LA DITTA PRODUTTRICE NON È IN ALCUN MODO RESPONSABILE DI ALCUN DANNO A PERSONE O COSE DERIVANTE DAL RECUPERO DI PARTI DELLA MACCHINA UTILIZZATE DOPO IL SUO SMALTIMENTO